



OPERATING AND ATEX/IECE_x SAFETY INSTRUCTIONS

KATflow 170 – Aluminium Enclosure

Clamp-On Ultrasonic Flowmeter for Hazardous Areas



KATflow 170

Operating Instructions

Official Katronic distributor for Benelux :

U-F-M B.V.

Argon 24
4751 XC Oud Gastel
The Netherlands

T +31 (0)165 855 655

E info@u-f-m.nl

www.u-f-m.nl

TABLE OF CONTENTS

1 SAFETY INSTRUCTIONS, LEGAL REQUIREMENTS, WARRANTY, RETURN POLICY	5	4.3 Cable glands	24
1.1 Symbols	5	4.4 Equipotential bonding	25
1.2 Safety instructions for the operator	5	4.4.1 Clamp-on ultrasonic sensors	25
1.3 Languages/translations	6	4.4.2 Flowmeter	25
1.4 Warranty	6	4.5 Process inputs/outputs	25
1.5 Return policy	6	5 OPERATION	26
1.6 Legislative requirements	7	5.1 Switching On/Off	26
2 INTRODUCTION	8	5.2 Keypad and display	26
2.1 Clamp-on transit-time flowmeter	8	5.2.1 Keypad key functions	27
2.2 Measuring principle	8	5.2.2 Display icons and functions	27
2.3 Approvals	9	5.3 Quick Setup Wizard	29
2.3.1 Clamp-on ultrasonic sensors	9	5.4 Measurement	32
2.3.2 Flowmeter	10	5.4.1 Main process value display	32
2.4 Temperature limits	11	5.4.2 Three-line display	32
2.4.1 Clamp-on ultrasonic sensors	11	5.4.3 Diagnostic display	32
2.4.2 Flowmeter	11	5.4.4 Totaliser	33
2.5 Special conditions of safe use	11	5.4.5 Dual-channel measurement screen	33
2.6 EU type examination certificates	11	5.4.6 "Math" display	33
3 INSTALLATION	12	5.4.7 Data logger	34
3.1 Unpacking and storage	12	6 COMMISSIONING	35
3.1.1 Unpacking	12	6.1 Menu structure	35
3.1.2 Storage	12	6.2 Output configuration	42
3.1.3 Identification of components	12	6.2.1 Serial interface	42
3.2 System configuration	13	6.2.2 Modbus RTU	42
3.3 Clamp-on sensor installation	14	6.2.3 HART® compatible output	43
3.3.1 Acoustic propagation	14	6.2.4 Analogue current output 0/4 ... 20 mA	43
3.3.2 Straight pipe lengths	14	6.2.5 Analogue voltage output 0 ... 10 V	44
3.4 Installation location	15	6.2.6 Analogue frequency output (passive)	44
3.5 Pipe preparation	17	6.2.7 Digital open-collector output	44
3.6 Sensor mounting configurations and separation distance	18	6.2.8 Digital relay output	45
3.6.1 Reflection Mode	18	6.3 Input configuration	45
3.6.2 Diagonal Mode	18	6.3.1 Pt 100 inputs	45
3.6.3 Transducer separation distance	18	6.3.2 Analogue current input 0/4 ... 20 mA	46
3.7 Sensor installation in hazardous areas	19	6.4 Temperature compensation	46
3.7.1 Acoustic coupling gel	19	6.5 Heat quantity measurement	46
3.7.2 Correct positioning of the sensors	20	6.6 Sound velocity measurement	46
3.7.3 Sensor mounting with tension straps	21	6.7 Dual-channel flow calculations	46
3.8 Flowmeter installation in hazardous areas	22	6.8 Scope function	47
3.9 Flowmeter installation	22	6.9 KATdata+ software	47
3.9.1 Outline dimensions	22	7 MAINTENANCE	48
4 ELECTRICAL INSTALLATION	23	7.1 Opening/closing the Ex d compartment	48
4.1 Electrical wiring	23	7.2 Service/Repair	48
4.2 Cabling and junction box	24	8 TROUBLESHOOTING	49
4.2.1 Signal cable parameters	24	8.1 Measurement difficulties and error messages	49
		8.2 Data download difficulties	51

KATflow 170

TABLE OF CONTENTS

9	TECHNICAL DATA	52	10.4	Internal data logger	60
9.1	Sound speed of selected pipe materials	52	10.5	Communication	60
9.2	Technical data of selected fluids	53	10.6	KATdata+ software	60
9.3	Dependence between temperature and sound speed in water	56	10.7	Process inputs	61
10	SPECIFICATION	59	10.8	Process outputs	61
10.1	General	59	10.9	Clamp-on sensors: K1Ex, K4Ex	62
10.2	Flowmeter	59	11	INDEX	63
10.3	Quantity and units of measurement	60	12	APPENDIX A – Certificate of Conformity	64
			13	APPENDIX B – Customer Return Note (CRN)	66

SAFETY INSTRUCTIONS, LEGAL REQUIREMENTS, WARRANTY, RETURN POLICY

1 SAFETY INSTRUCTIONS, LEGAL REQUIREMENTS, WARRANTY, RETURN POLICY

1.1 Symbols



Danger

This symbol represents an immediate hazardous situation which could result in serious injury, death or damage to the equipment. Where this symbol is shown, do not use the equipment further unless you have fully understood the nature of the hazard and have taken the required precautions.



Ex-hazard

This warning refers to an immediate danger when using the equipment in a hazardous area.



Attention

This symbol indicates important instructions which should be respected in order to avoid damaging or destroying the equipment. Follow the precautions given in these instructions to avoid the hazard. Call our service team if necessary.



Call service

Where this symbol is shown call our service team for advice if necessary.



Note

This symbol indicates a note or detailed setup tip.

ESC Operator key

Operator keys are printed in bold typeface.

1.2 Safety instructions for the operator



These safety instructions are applicable for sensor type K1Ex/K4Ex and KATflow 170 flowmeter installations in hazardous areas.

- Do not install, operate or maintain this flowmeter without reading, understanding and following these operating instructions, otherwise injury or damage may result.
- Study these operating instructions carefully before the installation of the equipment and keep them for future reference.
- Observe all warnings, notes and instructions as marked on the packaging, on the equipment, and detailed in the operating instructions.
- Do not change or alter the sensors or the transmitter. Unauthorised changes may affect the explosion safety of the equipment.

KATflow 170

SAFETY INSTRUCTIONS, LEGAL REQUIREMENTS, WARRANTY, RETURN POLICY

- The special conditions of use as described in the EU type examination certificate must be followed. In addition, all given electrical specifications must be met.
- The electrical installation must be in accordance with applicable national standards (equivalent to IEC 364) in addition to the requirements for installation in hazardous areas according to EN/IEC 60079-14 “Electrical installations in hazardous locations” or equivalent national standards.
- Installation, operation, service and maintenance of the equipment must only be performed by authorised and trained personnel with the necessary knowledge and qualifications in explosion safety.
- If the product does not operate normally, please refer to the service and troubleshooting instructions, or contact Katronic for help.

1.3 Languages/translations

These safety instructions are compiled in English. If English is not your native language and you have difficulties understanding the content of these instructions, please contact Katronic and/or your authorised local distributor for a translation of this text.

1.4 Warranty

- Any product purchased from Katronic is warranted in accordance with the relevant product documentation and as specified in the sales contract provided. This is subject to the condition that it has been used for the purpose for which it has been designed and operated as outlined in these operating instructions. Misuse of the equipment will immediately revoke any warranty given or implied.
- Responsibility for suitability and intended use of this ultrasonic flowmeter rests solely with the user. Improper installation and operation of the flowmeter may lead to a loss of warranty.
- Please note that there are no operator-serviceable parts inside the equipment. Any unauthorised interference with the product will invalidate the warranty.

1.5 Return policy

If the flowmeter has been diagnosed to have a problem, it can be returned to Katronic for repair using the Customer Return Note (CRN) attached to the Appendix of this manual. Katronic regret that for health and safety reasons we cannot accept the return of the equipment unless accompanied by the completed CRN.

SAFETY INSTRUCTIONS, LEGAL REQUIREMENTS, WARRANTY, RETURN POLICY

1.6 Legislative requirements



CE Marking

The flowmeter is designed to meet the safety requirements in accordance with sound engineering practice. It has been tested and has left the factory in a condition in which it is safe to operate. The equipment is in conformity with the statutory requirements of the EC directive and complies with applicable regulations and standards for hazardous area equipment (2014/34/EU), and for electrical safety (EN 61010) and electromagnetic compatibility (EN 61326). A CE Declaration of Conformity has been issued in that respect, a copy of which can be found in Appendix of these operating instructions.



WEEE Directive

The Waste Electrical and Electronic Equipment Directive (WEEE Directive 2012/19/EU) aims to minimise the impact of electrical and electronic goods on the environment by increasing re-use and recycling and by reducing the amount of WEEE going to landfill. It seeks to achieve this by making producers responsible for financing the collection, treatment, and recovery of waste electrical equipment, and by obliging distributors to allow consumers to return their waste equipment free of charge. Katronic offers its customers the possibility of returning unused and obsolete equipment for correct disposal and recycling. The dustbin symbol indicates that when the last user wishes to discard this product, it must be sent to appropriate facilities for recovery and recycling. By not discarding this product along with other household-type waste, the volume of waste sent to incinerators or landfills will be reduced and natural resources will be conserved. Please use the Customer Return Note (CRN) in the Appendix 13 for return to Katronic.



RoHS Directive

All products manufactured by Katronic are compliant with the relevant aspects of the RoHS Directive.

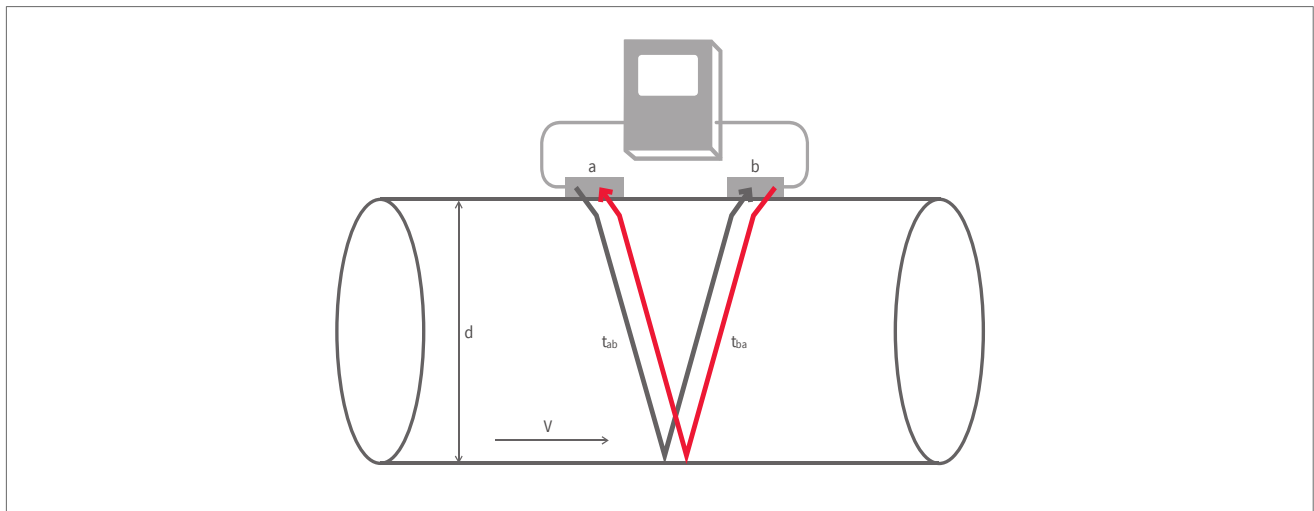
KATflow 170

INTRODUCTION

2 INTRODUCTION

2.1 Clamp-on transit-time flowmeter

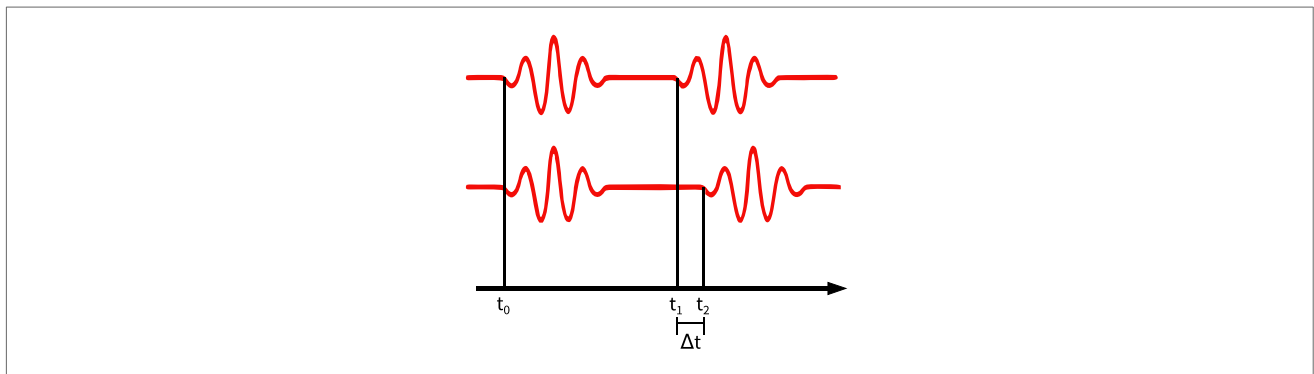
The KATflow 170 is a fixed installation ultrasonic flowmeter designed for use in hazardous areas employing clamp-on sensors for the measurement of liquids in full, enclosed pipes. Flow measurements can be undertaken without interruption of the process or interference with the integrity of the pipeline. The clamp-on sensors are attached to the outside of the pipes. The KATflow 170 uses ultrasonic signals for measurement of the flow, utilising the transit-time method. The sensors of type K1Ex and K4Ex are equally suitable for use in hazardous areas. The KATflow 170 flowmeter can only be used with ATEX or IECEx certified sensors.



Picture 1: Clamp-on ultrasonic flowmeter configuration

2.2 Measuring principle

Ultrasonic signals are emitted by a transducer installed on a pipe and received by a second transducer. These signals are emitted alternately in the direction of flow and against it. Because the medium is flowing, the transit time of the sound signals propagating in the direction of flow is shorter than the transit time of the signal propagating against the direction of flow. The transit-time difference Δt is measured and allows the determination of the average flow velocity along the path of acoustic propagation. A profile correction is then performed to obtain the average flow velocity over the cross-sectional area of the pipe, which is proportional to the volumetric flow rate.



Picture 2: Transit-time measuring principle

2.3 Approvals

2.3.1 Clamp-on ultrasonic sensors

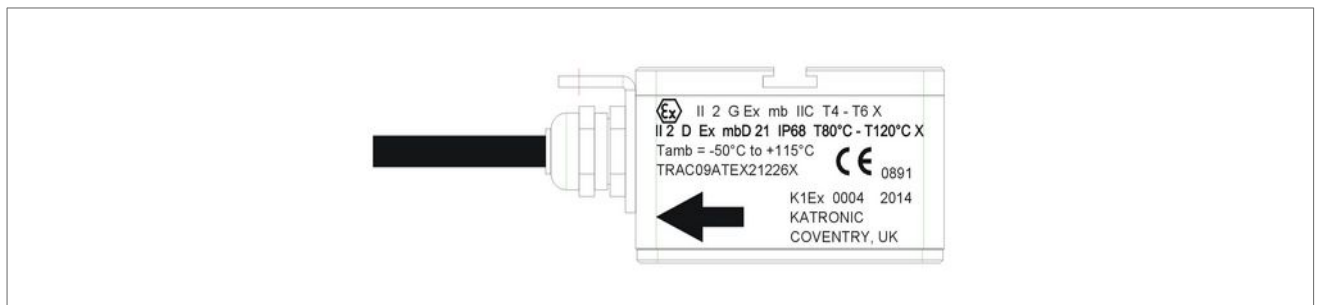
The clamp-on ultrasonic sensors are manufactured according to European Directive 2014/34/EU. This equipment has been approved for installation and use in hazardous classified areas of Zone 1 and 2 by the certification agency TRaC (ATEX notified body identification 0891). The protection method for the sensors is “encapsulation” as per EN/IEC 60079-18.

The K1Ex, K4Ex transducers meet the requirements of the following standards:

Standard	Description
EN 60079-0:2014 IEC 60079-0:2011	Electrical equipment for use in explosive atmosphere – General requirements
EN 60079-18:2015 IEC 60079-18:2014	Electrical equipment for use in explosive atmosphere – Encapsulation “maD, mbD”
EN 60079-31:2014 IEC 60079-31:2013	Electrical equipment for use in the presence of combustibile dust – Protection by enclosures “tD”



Certificate number of the K1Ex and K4Ex sensors: TRAC 09 ATEX 21226 X



Picture 3: Rating plate sensors K1Ex and K4Ex

KATflow 170

INTRODUCTION

2.3.2 Flowmeter

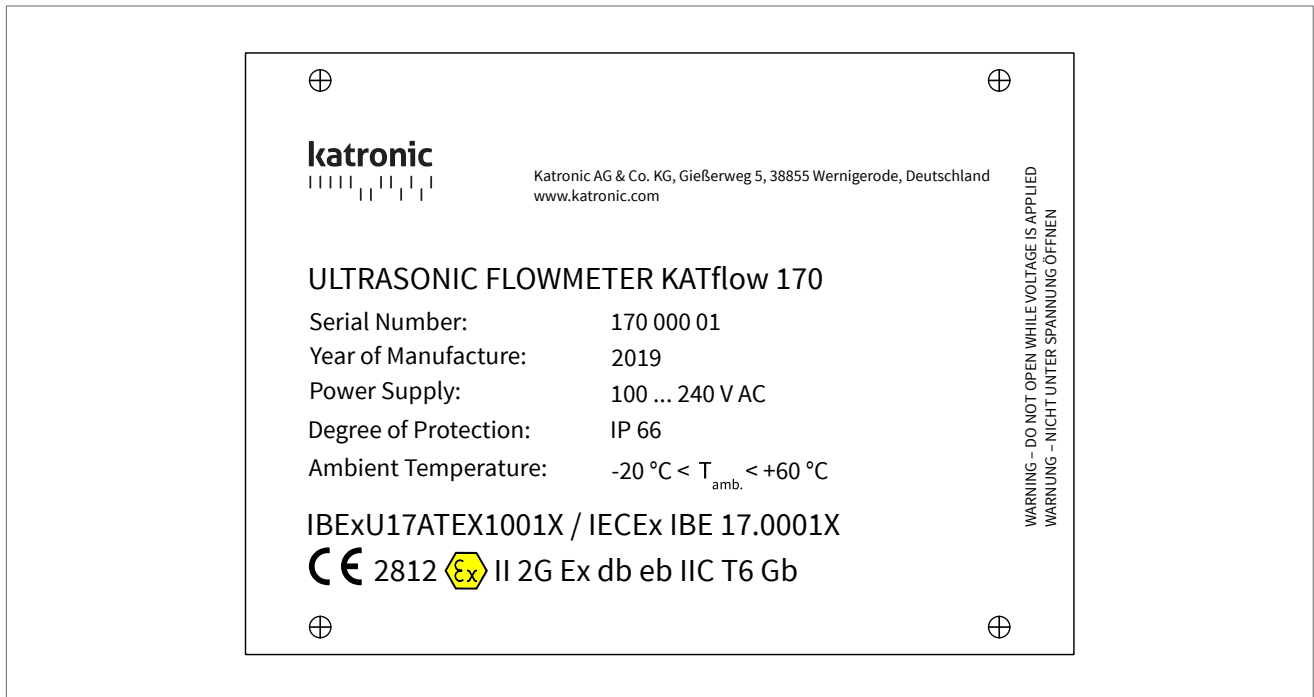
The KATflow 170 flowmeter is available in epoxy-coated aluminium or in stainless steel. Both versions are certified for use in hazardous area Zone 1 or 2. K1Ex and K4Ex sensors are connected to the KATflow 170 either directly or through an Ex e certified junction box with cables provided by Katronic. The protection method for the KATflow 170 is “explosion-proof” Ex d and “increased safety” Ex e as per the following standards:

Standard	Description
EN 60079-0:2014 IEC 60079-0:2011	Electrical equipment for use in explosive atmosphere – General requirements
EN 60079-1:2015 IEC 60079-1:2014	Electrical equipment for use in explosive atmosphere – Flameproof “d”
EN 60079-7:2016 IEC 60079-7:2015	Electrical equipment for use in explosive atmosphere – Increased safety “e”
EN 60079-31:2014 IEC 60079-31:2013	Electrical equipment for use in the presence of combustible dust – Protection by enclosures “tD”



Certificate of the KATflow 170 flowmeter: IBExU17ATEX1001X (ATEX)
 IECEX IBE 17.0001X (IECEX)

Certification coding: II 2G Ex db eb IIC T6 Gb



Picture 4: Rating plate KATflow 170

2.4 Temperature limits

2.4.1 Clamp-on ultrasonic sensors

The K1Ex and K4Ex clamp-on ultrasonic sensors can be used for the following process temperatures depending on the temperature class specified for the application (see Table 1):

Gas groups	
Temperature class	Process temperature range
T6	-50 ... +75 °C
T5	-50 ... +90 °C
T4	-50 ... +115 °C
Dust groups	
	The ambient temperature is the limiting factor but cannot exceed +115 °C therefore the maximum temperature designation is T80 °C - T120 °C.

Table 1: Temperature class K1Ex and K4Ex sensors

2.4.2 Flowmeter

For KATflow 170 flowmeters located in Zone 1 or 2 hazardous areas the ambient temperature range is -20 ... +60 °C. The unit is manufactured to a degree of protection of IP 66 (see Picture 4).

2.5 Special conditions of safe use

- The transducers must only be used in conjunction with a flowmeter unit (e. g. KATflow 170) which conforms to the signal parameters and thermal protection conditions as outlines in the special conditions of safe use.
- The transducers must be securely fixed to the pipe to protect the PEEK surface of the sensors from mechanical impact and electrostatic charging.



- Where the connecting cable may be subject to mechanical damage then the user shall provide additional mechanical protection.
- Clause 10, EN 60079-18: The pulsed supply to the transducers must not exceed 330 V at a maximum frequency of 4 MHz (met by KATflow 170 electronics).

2.6 EU type examination certificates

See ATEX documentation pack.

KATflow 170

INSTALLATION

3 INSTALLATION

3.1 Unpacking and storage

3.1.1 Unpacking

Care should be taken when opening the box containing the flowmeter, any markings or warnings shown on the packaging should be observed prior to opening. The following steps should then be taken:

- Unpack the flowmeter in a dry area.
- The flowmeter should be handled with care and not left in an area where it could be subject to physical shocks.
- If using a knife to remove packaging care should be taken not to damage the flowmeter or cables.
- The flowmeter package and contents should be checked against the delivery note supplied and any missing items reported immediately.
- The flowmeter package and contents should be checked for signs of damage during transport and any problems reported immediately.
- The vendor accepts no responsibility for damage or injury caused during the unpacking of the instrumentation supplied.
- Excess packing materials should be either recycled or disposed of in a suitable way.

3.1.2 Storage

If storage is necessary, the flowmeter and sensors should be stored:

- in a secure location,
- away from water and harsh environmental conditions,
- in such a way as to avoid damage,
- small items should be kept together in the bags and small plastic boxes provided to avoid loss.

3.1.3 Identification of components

The following items are typically supplied (please refer to your delivery note for a detailed description):

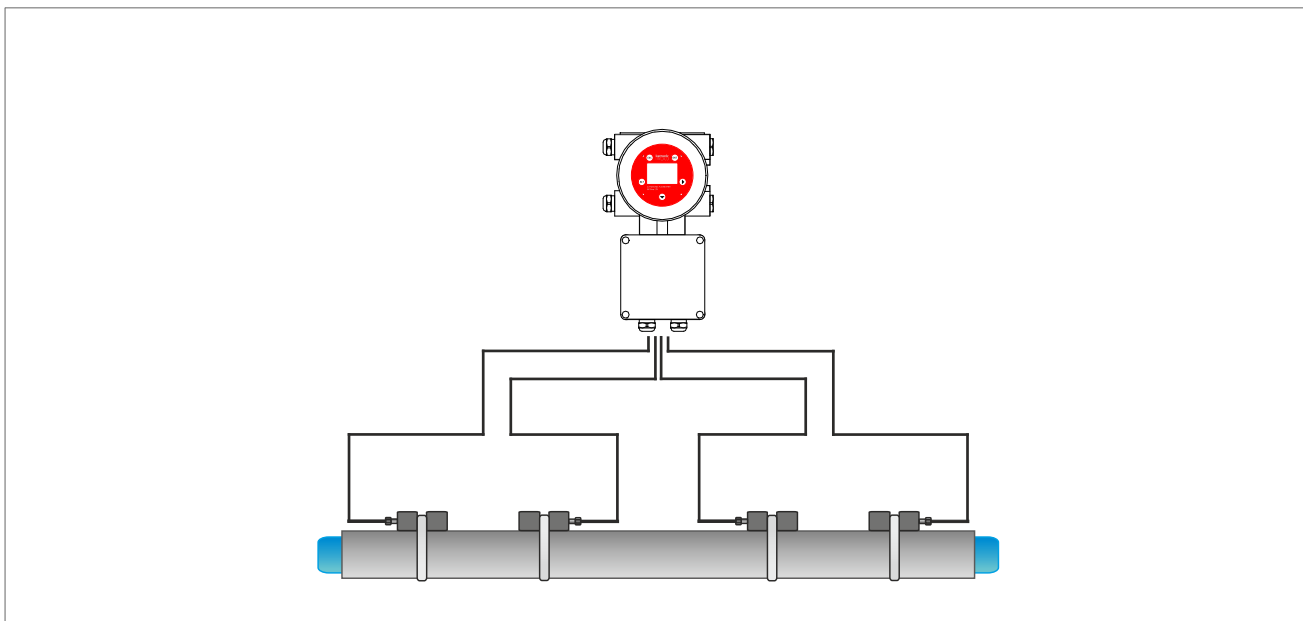
- KATflow 170 ultrasonic flowmeter,
- Clamp-on sensors (one pair for single-channel operation, two pairs for dual-channel operation),
- Ex e junction box if not direct sensor connection (one junction box for single-channel operation, two junction boxes for dual-channel operation),
- Sensor connection cable(s) if not direct sensor connection,
- Sensor mounting accessories,
- Coupling component,
- Operating instructions,
- Project and hazardous area documentation,
- Calibration certificate(s) (optional).

3.2 System configuration

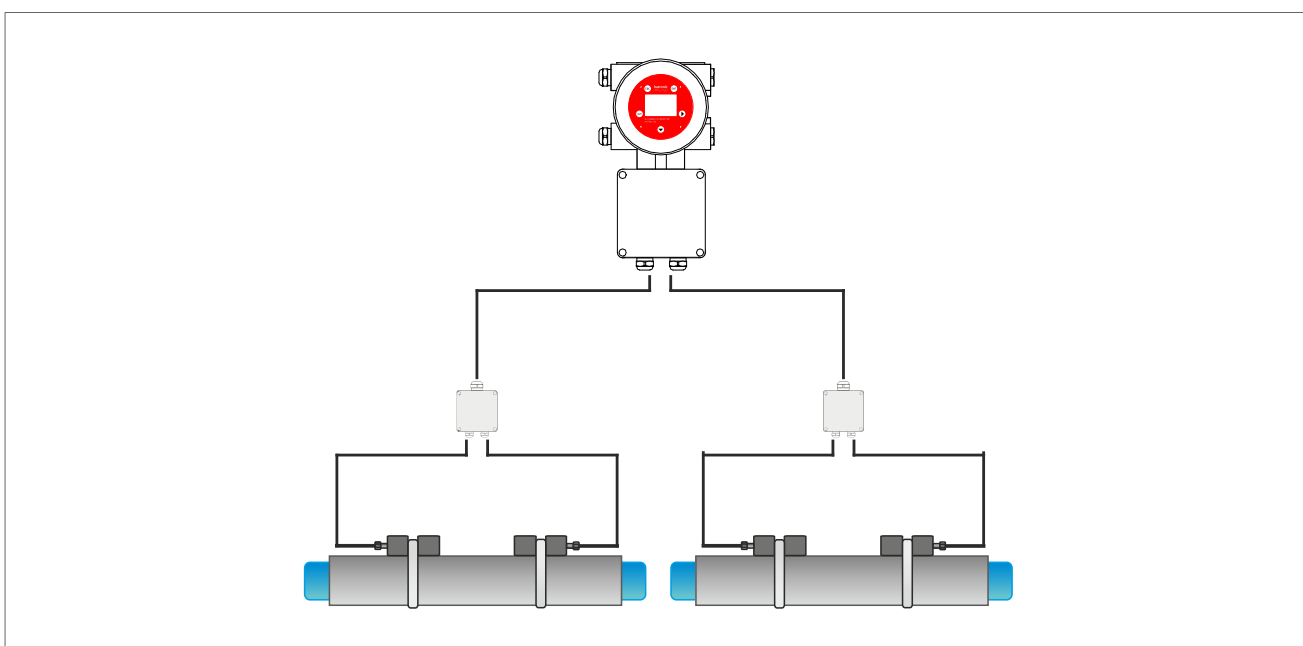


The KATflow 170 flowmeter and K1Ex and/or K4Ex sensors can be installed in Zone 1 or 2 hazardous areas with or without a certified optional junction box depending on the required cable distances.

A maximum of two sensor pairs can be installed - if two pairs are installed these can be configured either in a one-pipe dual-path (see Picture 5) or a two-pipe single-path (see Picture 6) configuration.



Picture 5: KATflow 170 with direct sensor connection in a 1-pipe 2-path configuration



Picture 6: KATflow 170 in a 2-pipe 1-path configuration using optional junction boxes

KATflow 170

INSTALLATION

3.3 Clamp-on sensor installation

The correct selection of the sensor location is crucial for achieving reliable measurements and high accuracy. Measurement must take place on a pipe in which sound can propagate (see Section 3.3.1 Acoustic propagation) and in which a rotationally symmetrical flow profile is fully developed (see Section 3.3.2 Straight pipe lengths).

The correct positioning of the transducers is an essential condition for error-free measurements. It ensures that the sound signal will be received under optimal conditions and evaluated correctly. Because of the variety of applications and the different factors influencing the measurement, there can be no standard solution for the positioning of the transducers.

The correct position of the transducers will be influenced by the following factors:

- diameter, material, lining, wall thickness and general condition of the pipe,
- the medium flowing in the pipe,
- the presence of gas bubbles and solid particles in the medium.

After the sensor location has been selected, make sure that the supplied cable is long enough to reach the flowmeter mounting location.



Check that the temperature at the selected location is within the operating temperature range of the transducers (see Chapter 10).

3.3.1 Acoustic propagation

Acoustic propagation is achieved when the flowmeter is able to receive sufficient signal from the transmitted ultrasonic pulses. The signals are attenuated in the pipe material, the medium and at each of the interfaces and reflections. External and internal pipe corrosion, solid particles and gas content in the medium contribute heavily to signal attenuation.

3.3.2 Straight pipe lengths

Sufficient straight lengths of pipe on the inlet and outlet of the measuring location ensure an axi-symmetrical flow profile in the pipe, which is required for good measurement accuracy. If insufficient straight lengths of pipe are available for your application measurements are still obtainable, but the certainty of the measurement can be reduced.

3.4 Installation location

Select an installation location following the recommendations in Table 2 and try to avoid measuring:



- in the vicinity of deformations and defects of the pipe,
- near welding seams,
- where deposits could be building up in the pipe.

<p>For a horizontal pipe: Select a location where the transducers can be mounted on the side of the pipe, so that the sound waves emitted by the transducers propagate horizontally in the pipe. In this way, the solid particles deposited on the bottom of the pipe and the gas pockets developing at the top will not influence the propagation of the signal.</p>	
<p>For a free inlet or outlet pipe section: Select the measuring point at a location where the pipe cannot run empty.</p>	
<p>For a vertical pipe: Select the measuring point at a location where the liquid flows upward to ensure that the pipe is completely filled.</p>	

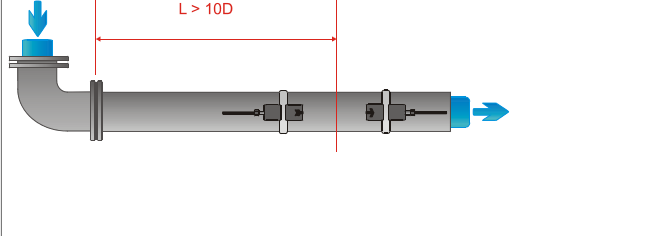
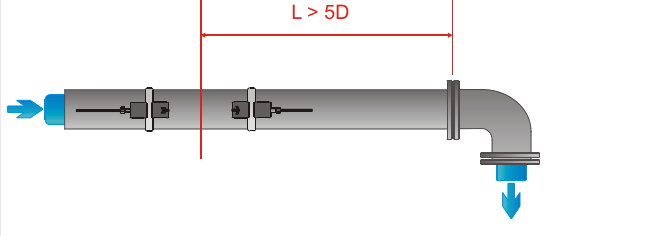
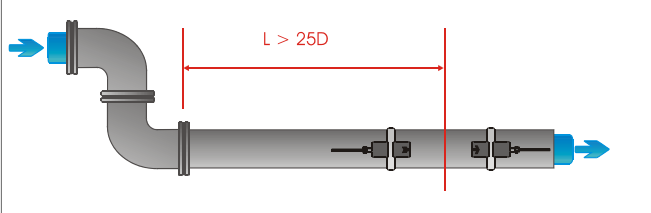
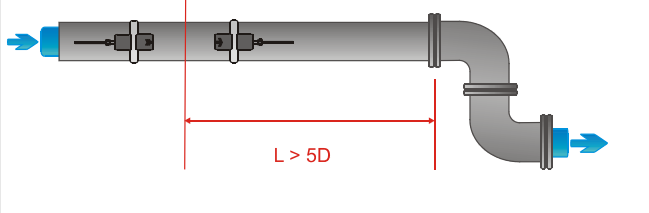
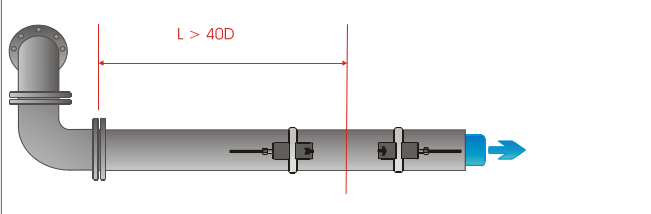
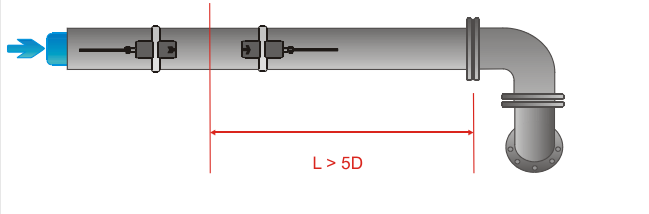
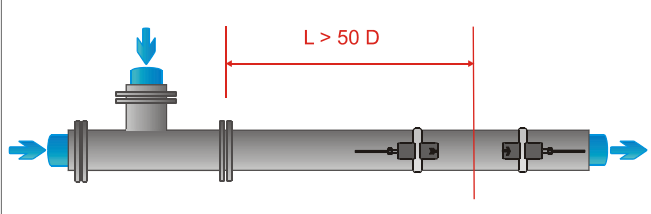
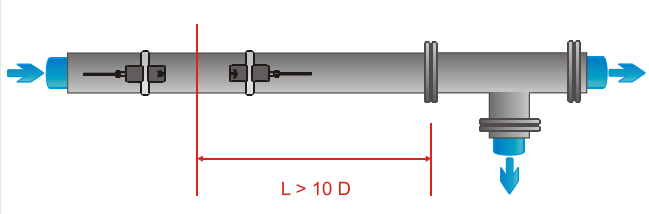
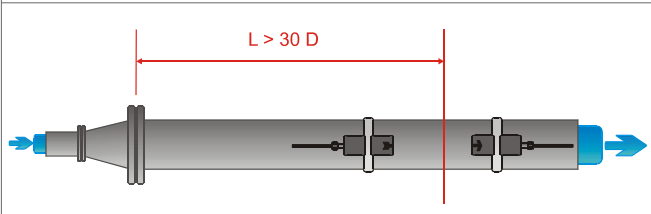
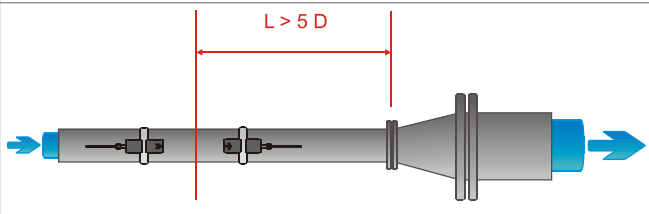
Table 2: Recommendations for sensor mounting location



Look for a sensor installation location with sufficient straight pipe to obtain accurate measurements. Please refer to Table 3 as a guideline for recommended distances from disturbance sources.

KATflow 170

INSTALLATION

<p>Disturbance source: 90°-elbow Inlet $L \geq 10D$</p>	<p>Outlet $L \geq 5D$</p>
	
<p>Disturbance source: 2 x 90°-elbow in one plane Inlet $L \geq 25D$</p>	<p>Outlet $L \geq 5D$</p>
	
<p>Disturbance source: 2 x 90°-elbow in different planes Inlet $L \geq 40D$</p>	<p>Outlet $L \geq 5D$</p>
	
<p>Disturbance source: T-section Inlet $L \geq 50D$</p>	<p>Outlet $L \geq 10D$</p>
	
<p>Disturbance source: diffuser Inlet $L \geq 30D$</p>	<p>Outlet $L \geq 5D$</p>
	

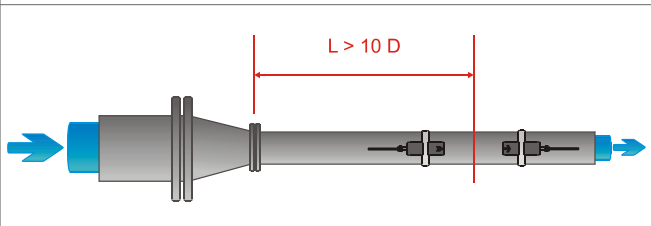
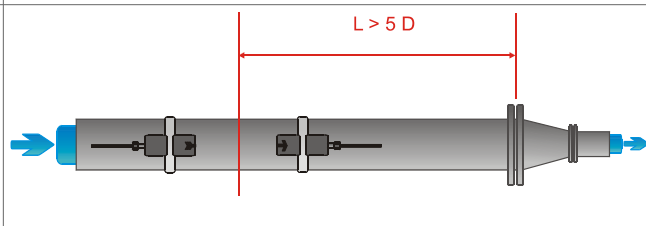
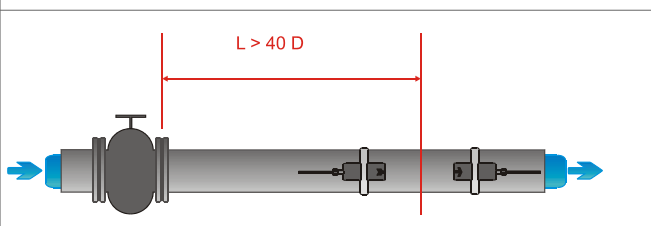
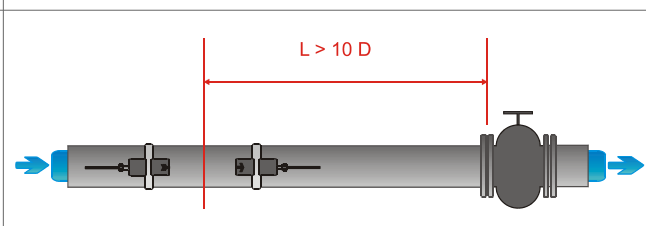
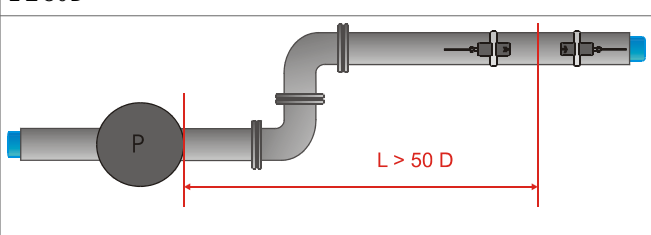
Disturbance source: reducer Inlet $L \geq 10D$	Outlet $L \geq 5D$
	
Disturbance source: valve Inlet $L \geq 40D$	Outlet $L \geq 10D$
	
Disturbance source: pump Inlet $L \geq 50D$	
	

Table 3: Recommended distances from disturbance sources

3.5 Pipe preparation

- Clean dirt and dust from around the area of the pipework where the sensors are to be placed.
- Remove loose paint and rust with a wire brush or file.
- Firmly bonded paint does not necessarily need to be removed provided the flowmeter diagnostics indicate sufficient signal strength.

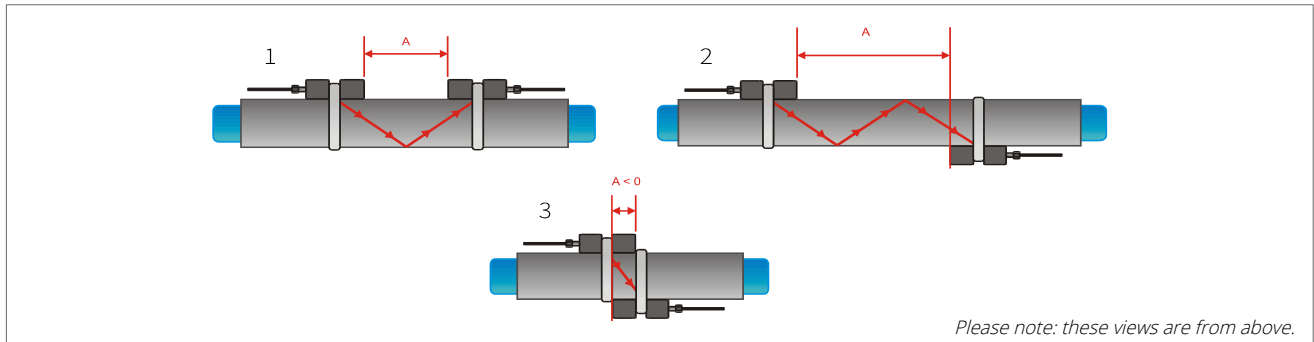
KATflow 170

INSTALLATION

3.6 Sensor mounting configurations and separation distance

3.6.1 Reflection Mode

The most common clamp-on sensor mounting configuration is the Reflection Mode, sometimes known as V-Mode (see Picture 7, sketch 1). Here, the ultrasonic signal passes twice through the medium (two signal passes). The Reflection Mode is the most convenient mounting method as the transducer separation distance can be measured easily and the sensors can be accurately aligned. This method should be used whenever possible.



Picture 7: Clamp-on sensor mounting configurations and sensor spacing

3.6.2 Diagonal Mode

An alternative mounting configuration (see Picture 7, sketch 3) is the Diagonal Mode (Z-Mode). The signals travel only once through the pipe. This method is often used for larger pipes where greater signal attenuation might occur.

Further variation of the Reflection and the Diagonal Modes are possible by altering the number of passes through the pipe. Any even number of passes will require mounting the sensors on the same side of the pipe, while with an odd number of passes, the sensors must be mounted on opposite sides of the pipe. Commonly, for very small pipes, sensor mounting configurations such as four passes (W-Mode) or three passes (N-Mode) are used (see Picture 7, sketch 2).

3.6.3 Transducer separation distance

The transducer separation distance A is measured from the inside edges of the sensor heads as shown (see Picture 7). It is automatically calculated by the flowmeter based on the parameter entries for pipe outside diameter, wall thickness, lining material and thickness, medium, process temperature, the sensor type and the selected number of signal passes.



A negative separation distance $A < 0$ can occur for mounting configurations on small pipes where Diagonal Mode operation has been selected (see Picture 7, sketch 3). Negative separation distances may be suggested for Reflection Mode installations, but are not possible. In these cases, use Diagonal Mode or a larger number of passes.

3.7 Sensor installation in hazardous areas

Before the sensors can be mounted

- the installation location should have been determined,
- a sensor mounting method should be chosen,
- the flowmeter must be mechanically and electrically installed,
- the sensors must be connected to the transmitter.

Depending on which sensor mounting method is being used, the clamp-on sensors are either mounted on the same side of the pipe (Reflection Mode) or on opposite sides of the pipe (Diagonal Mode). The sensor spacing is calculated by the flowmeter from the pipe parameters entered (see Section 3.6).



The transducers must be securely fixed to the pipe to protect the PEEK surface of the sensors from mechanical impact and electrostatic charging.

3.7.1 Acoustic coupling gel



In order to obtain acoustical contact between the pipe and the sensors, apply a bead of acoustic coupling gel lengthwise down the centre of the contact area of the sensors.



Picture 8: Application of acoustic coupling gel

KATflow 170

INSTALLATION

3.7.2 Correct positioning of the sensors

Always mount the transducer pair so that the free front edges of the sensors face each other. There is a different engraving on the top of each transducer. The transducers are mounted correctly if the engravings on the two transducers form an arrow. The transducer cables should point in opposite directions. Later, the arrow, in conjunction with the indicated measured value, will help to determine the direction of flow (see Section 3.4).



The sensor separation distance is automatically calculated by the flowmeter based on the parameter entries for pipe outside diameter, wall thickness, lining material and thickness, medium, process temperature, the sensor type and the selected number of signal passes. The sensor positioning screen (see Section 5.3) allows fine adjustment of the sensor location.



Picture 9: Correct positioning of the sensors

3.7.3 Sensor mounting with tension straps

- Cut the tension straps to the appropriate length.
- Pull at least 2 cm of the tension strap through the slot in the clamp and bend the strap back to secure the clamp to the tension strap.
- Guide the other end of the tension strap through the groove on top of the sensor.
- Place the sensor onto the prepared pipe section.
- Hold the transducer with one hand and guide the tension strap around the pipe.
- Pull the tension strap and guide the free end through the clamp so that the clamp hooks engage. Slightly tighten the screw on the clamp.
- Mount the second sensor in the same way.
- Press the sensors firmly onto the pipe. There should be no air pockets between the transducer surface and the pipe wall.
- Using a measuring tape, adjust the sensor separation distance as suggested by the flowmeter. When the sensor positioning screen is displayed (see Section 5.3), the middle bar allows fine adjustment of the sensor location.
- Ensure that the narrower side of the clip is above and inside the wider side and that the two sides of the clip do not come into contact while tightening, as this will prevent the strap from being correctly tensioned.



Picture 10: Metallic mounting straps

KATflow 170

INSTALLATION

3.8 Flowmeter installation in hazardous areas

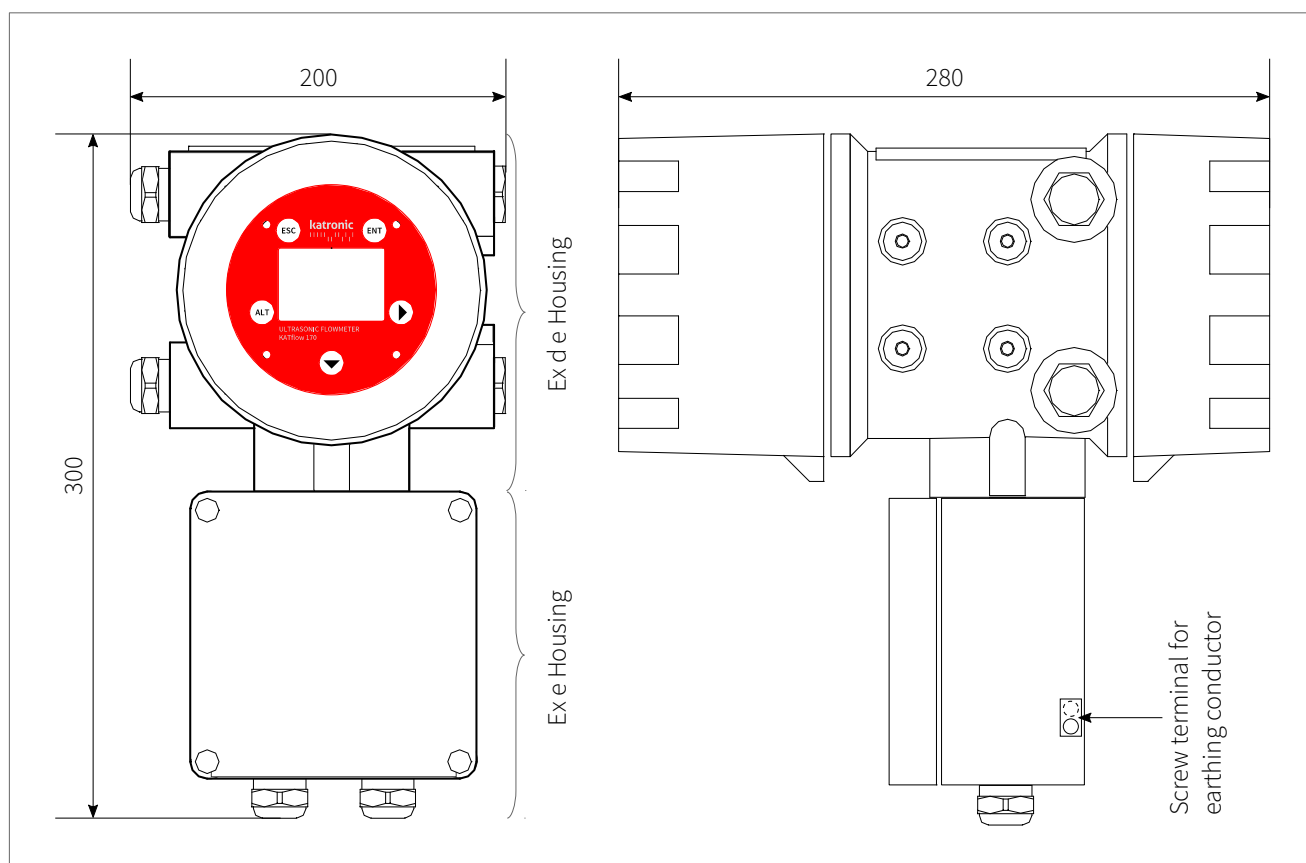
The KATflow 170 is intended for 2" mounting pole installations as shown in the following picture. Wall mounting is also possible but requires an optional bracket.



Picture 11: K1Ex/K4Ex transducer and KATflow 170

3.9 Flowmeter installation

3.9.1 Outline dimensions



Picture 12: Outline dimensions KATflow 170

4 ELECTRICAL INSTALLATION

4.1 Electrical wiring

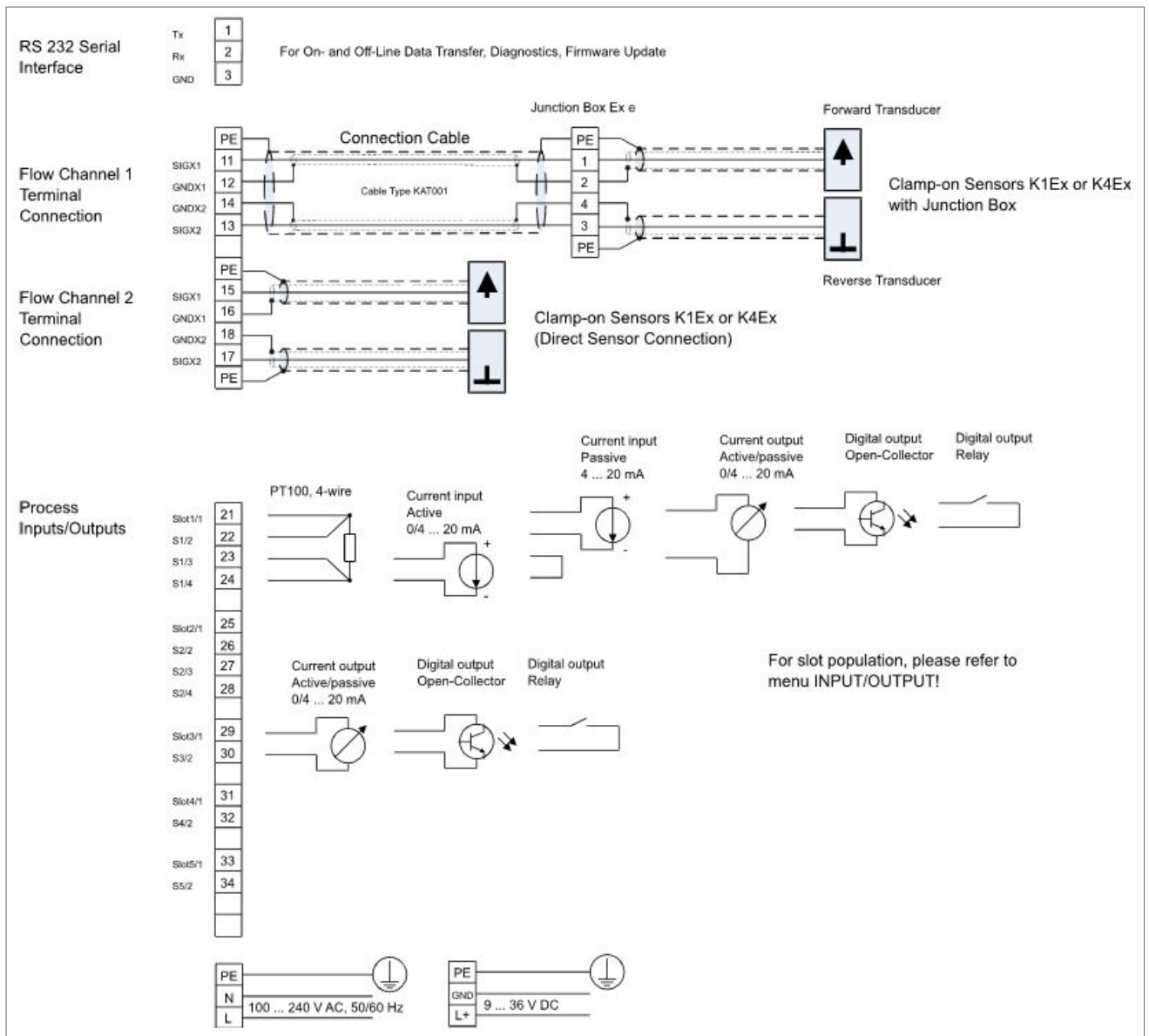
The wiring of the equipment must be in accordance with the requirements as specified in the relevant national or international standard for electrical installations in hazardous areas, e. g. EN/IEC 60079-14. Section 9 (wiring systems) of this standard applies to all protection concepts, Section 10 covers additional requirements for protection concept “d” - explosion-proof enclosures and Section 11 covers additional requirements for protection concept “e” - increased safety.



Please note that in order to supply the unit with mains power, the equipment must be protected by suitably sized switches and circuit breakers.



100 ... 200 V AC, 50/60 Hz 10 VA
9 ... 36 V DC 10 W



Picture 13: Electrical connection diagram for the KATflow 170 flowmeter

KATflow 170

ELECTRICAL INSTALLATION

4.2 Cabling and junction box

The hazardous area K1Ex and K4Ex sensors are manufactured with a standard cable length of 5 m. If this cable length is sufficient for the application, then the sensors can be connected directly to the flowmeter (direct cable connection).



For installations requiring longer cable lengths, the sensors are terminated at an Ex e (increased safety) certified junction box with approved terminals.

The electrical connection between the junction box and the flowmeter (signal cabling) is established using type KAT01 dual coax cable. The cable ends of the coaxial cables must be appropriately terminated with tinned ends or suitably sized ferrules. The signal cable is provided with the system. The maximum recommended signal cable length is 100 m.

4.2.1 Signal cable parameters

The signal cable supplied with the instrument has the following parameters (Table 4):

Total attenuation	0.021 dB/m
Capacitance (core/screen)	107 pF/m
Inductance (core/screen)	0.24 μ H/m

Table 4: Signal cable parameters



Where the connecting sensor and/or signal cable may be subject to mechanical damage then the user shall provide additional mechanical protection.

4.3 Cable glands

The KATflow 170 housing features 2 x M20 cable entries for the sensor cabling (Ex e housing, square part of the housing, see Picture 12 and Table 5 for installation location) and 4 x M20 cable entries for power supply, communication and process input/output connections (Ex de housing, round part of the housing).

The KATflow 170 housing is supplied with plastic dust caps. The temporary plugs are only intended for sealing the equipment against entry of dust, moisture or other possible ingress during transport, handling and storage. These dust caps must be replaced by suitable Ex e approved cable glands, stopping plugs or conduit adapters with respective sealing before the flowmeter is put into operation. The installer is responsible for the correct sizing and selection of the Ex e approved cable glands for the explosion-proof box. Unused cable entries must be closed with suitable Ex e blind plugs. Ex e approved cable glands/blind plugs are not part of the standard delivery package and must be provided by the customer or explicitly ordered from Katronic.

The following Ex e cable glands are available from Katronic:

Cable gland	Cable diameter	Cable type	Installation location	Possible number of pieces
M20	10 ... 14 mm	Power, communication, process input/output	Ex de housing	4
M20	7 ... 12 mm	Power, communication, process input/output	Ex de housing	4
M20	2 x 6 mm	K1Ex, K4Ex direct sensor connection	Ex e housing	2
M20	12 mm	System cable KAT01 from junction box	Ex e housing	2
M20	Blind plug		Ex de + Ex e housing	6

Table 5: Overview installation location and possible number of Ex e cable glands

4.4 Equipotential bonding

4.4.1 Clamp-on ultrasonic sensors



The K1Ex and K4Ex sensors feature a terminal connection which must be used to connect the transducers to the equipotential bonding system locally.

4.4.2 Flowmeter



The KATflow 170 flowmeter must always be incorporated in the equipotential bonding system of the hazardous area installation. The explosion-proof housing of the KATflow 170 features a screw terminal outside the housing, which must be earthed locally (see Picture 12). The earthing conductor must have at least a cross-sectional area of 4 mm² (11 AWG).

The protective earth conductor inside the housing to be connected to the earth terminal marked PE must have at least the same cross-sectional area as the line conductor to be connected to the terminal marked L1 (see Picture 13).

4.5 Process inputs/outputs



If the process inputs/outputs are to be terminated in the hazardous area, the associated equipment must be certified accordingly.

KATflow 170

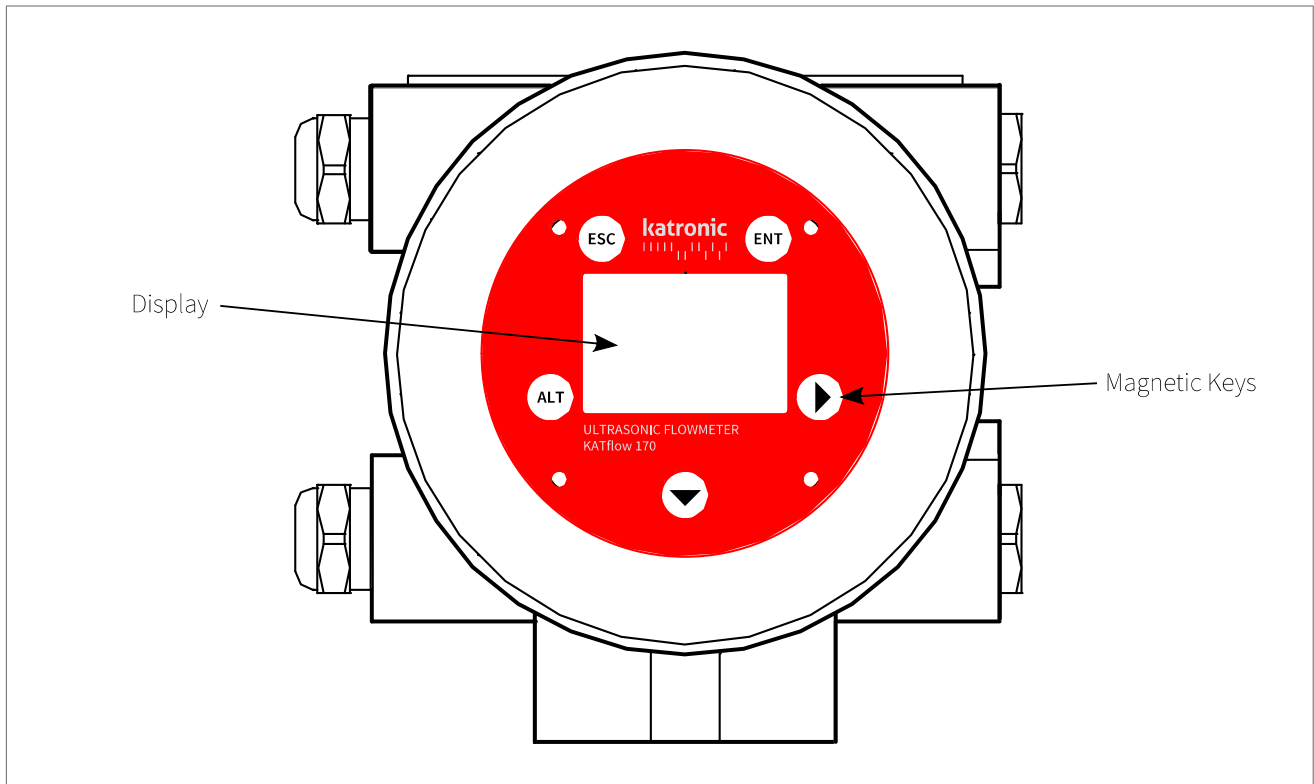
OPERATION

5 OPERATION

5.1 Switching On/Off

The flowmeter is switched on by connecting the power supply to the instrument. Disconnecting the external supply switches the flowmeter off.

5.2 Keypad and display



Picture 14: Keypad and display KATflow 170

The keypad of the KATflow 170 consists of five magnetic keys which can be operated from the outside of the enclosure using a magnetic pen. Hold the pen against the key area (white circle). The instrument acknowledges the activation of the key by turning the backlight off for a fraction of a second.



Customer-specific settings for data to be displayed can be achieved by using the appropriate menu items.

5.2.1 Keypad key functions






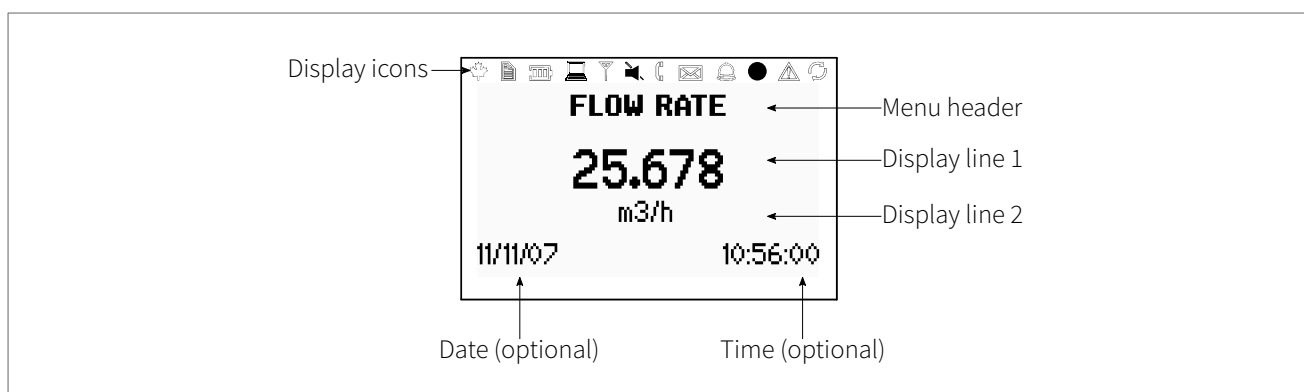
Used keys	Main function	Secondary function
	Character position selection for data entry Move RIGHT	Screen selection in measurement mode Contrast adjust on main menu (if key currently has no other function)
	Move menu/list selection item DOWN	Character entry from scrolled characters Move in scrolled lists Screen selection in measurement mode
	Backlight on/off	-
	ESC ape menu item	Abort entry without saving Escape measurement mode
	ENT er menu item	Confirm and save entry or move through menu structure

Table 6: Keypad key functions

5.2.2 Display icons and functions



Picture 15: Display overview

KATflow 170

OPERATION







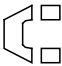





Display icon	Function	
		Function not used on KATflow 170
	On Off	Data logger recording Data logger switched off
		Function not used on KATflow 170
	On Off	LCD backlight switched on LCD backlight switched off
	On Off	I/O processor error I/O processor functioning correctly
	On Off	Speaker on Speaker off
	On Off	Coupling error Sensor operating correctly
		Function not used on KATflow 170
		Function not used on KATflow 170
	On Off	Time/date set Clock error
	On Off	Error recorded in error log No error detected
	On Off	Serial communication on (where specified) Serial communication off
L, T or LT		Displays whether flow is Laminar, Turbulent or Laminar-Turbulent



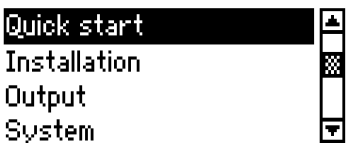








Table 7: Display icon functions

5.3 Quick Setup Wizard

The Quick Setup Wizard allows for a speedy setup of the most important parameters in order to achieve successful measurements in the shortest possible time:



Applying the magnetic pen can be considered pressing a key.

Used keys	Display screen	Operation
 	<p>MAIN MENU</p> 	<p>The “Main Menu” is displayed after first power on and the boot-up sequence. Use DOWN ▼ cursor key to select “Quick Start”. Confirm by pressing ENT.</p>
	<p>QUICK START</p> 	<p>Use DOWN ▼ cursor key to select “Setup Wizard”. Confirm by pressing ENT. If sensors are recognised, the serial number will be shown. If not recognised or not connected, they may be selected from a list.</p>
	<p>MIDDLE UNITS</p> 	<p>Select units of measurement using DOWN ▼ cursor key and pressing ENT.</p>
	<p>PIPE MATERIAL</p> 	<p>Select pipe material DOWN ▼ cursor key and pressing ENT.</p>
  	<p>OUTSIDE DIAMETER</p> <p>76.1 mm</p>	<p>Enter outside pipe diameter using DOWN ▼ and RIGHT ► cursor keys and confirm by pressing ENT. Use the DOWN ▼ key to select the required number or decimal point, use the RIGHT ► key to change to a different decimal position. If 0 is entered, an additional screen appears that allows entering the pipe circumference.</p>
	<p>CIRC</p> <p>103.0 mm</p>	<p>Enter the circumference using DOWN ▼ and RIGHT ► keys and confirm with ENT.</p>
 	<p>WALL THICKNESS</p> <p>3.4 mm</p>	<p>Enter pipe wall thickness by pressing DOWN ▼ and RIGHT ► cursor keys. Confirm by pressing ENT.</p>

KATflow 170
OPERATION

Used keys	Display screen	Operation
	<p style="text-align: center;">INNER DIAMETER</p> <p style="text-align: center;">69.3 mm</p>	<p>Enter the inner pipe diameter using DOWN ▼ and RIGHT ► keys and confirm with ENT. The value that appears here will have been calculated from the entered outside diameter (or circumference) and wall thickness. Entering a new value will recalculate the outside diameter.</p>
<p style="text-align: center;">▼ ENT</p>	<p style="text-align: center;">FLUID</p> <div style="border: 1px solid black; padding: 2px;"> <p style="text-align: center;">Water</p> <p style="text-align: center;">Saltwater</p> <p style="text-align: center;">Acetone</p> </div>	<p>Select the fluid using the DOWN ▼ keys. Confirm by pressing ENT.</p>
<p style="text-align: center;">▼ ► ENT</p>	<p style="text-align: center;">TEMPERATURE</p> <p style="text-align: center;">20.0 C</p>	<p>Enter process temperature using DOWN ▼ and RIGHT ► cursor keys and confirm by pressing ENT.</p>
<p style="text-align: center;">▼ ENT</p>	<p style="text-align: center;">LINER MATERIAL</p> <div style="border: 1px solid black; padding: 2px;"> <p style="text-align: center;">None</p> <p style="text-align: center;">Epoxy</p> <p style="text-align: center;">Rubber</p> </div>	<p>Select pipe lining material using the DOWN ▼ key. Confirm by pressing ENT. If a liner material is chosen, an additional screen appears that allows entry of liner thickness.</p>
<p style="text-align: center;">▼</p>	<p style="text-align: center;">PASSES</p> <div style="border: 1px solid black; padding: 2px;"> <p style="text-align: center;">Auto</p> <p style="text-align: center;">1</p> <p style="text-align: center;">2</p> </div>	<p>Select number of sound passes (sound paths) using DOWN ▼ and RIGHT ► keys.</p> <p>Auto: Automatically</p> <p>1: 1 pass (Diagonal Mode)</p> <p>2: 2 passes (Reflection Mode)</p> <p>3: 3 passes (Diagonal Mode)</p> <p>4: 4 passes (Reflection Mode) etc.</p> <p>Confirm with ENT.</p>
<p style="text-align: center;">ENT</p>	<p style="text-align: center;">QUICK START</p> <div style="border: 1px solid black; padding: 2px;"> <p style="text-align: center;">Setup Wizard</p> <p style="text-align: center;">Stored Setup</p> <p style="text-align: center;">Start Measurement</p> </div>	<p>Select "Start Measurement" and confirm with ENT.</p>
<p style="text-align: center;">ENT</p>	<p style="text-align: center;">CHNL1 SENSOR</p> <p>Spacing 110.5 mm</p> <p>Using 2 passes</p> <p>Signal 26 dB</p> <div style="border: 1px solid black; width: 100px; height: 15px; margin-top: 5px;"> <div style="background-color: black; width: 80%;"></div> </div>	<p>Sensor positioning screen:</p> <p>Mount transducers with suggested spacing and use middle bar for fine adjustment of position (central position is desired). Observe signal-to-noise (upper bar) and quality (lower bar). These should be of identical length.</p> <p>Confirm by pressing ENT to obtain measurements on screen.</p> <p>Note: Numbers shown are for indication only.</p>

Used keys	Display screen	Operation
	<p style="text-align: center;">CHNL-1</p> <p style="text-align: center;">25.678</p> <p style="text-align: center;">m³/h</p> <p>11/11/07 10:56:00</p>	Measurement successful!

Table 8: Quick Setup Wizard

KATflow 170

OPERATION

5.4 Measurement

5.4.1 Main process value display

Measurement is started using “Start Measurement” in the Quick Start Wizard. If all parameters have been entered, the next time the flowmeter is switched on the main process value (PV) is immediately shown on the display and/or made available as an output signal (if installed and operating).



The main process value (PV) is the primary measurement data and is usually displayed as the middle unit. User-specific settings for the main process value display can be made using the corresponding options in the menu. The process value can be selected from a list of available values.




Used keys	Display screen	Operation
  	<p style="text-align: center;">FLOW RATE</p> <p style="text-align: center;">25.678 m3/h</p> <p>11/11/07 10:56:00</p>	<p>The main process value can be changed in the “Quick Start” or “Installation” menus. Press ESC at any time to return to the main menu.</p> <p>Change to the diagnostic display by pressing RIGHT ▶ and DOWN ▼.</p>

Table 9: Main process value display

5.4.2 Three-line display



Used keys	Display screen	Operation
 	<p style="text-align: center;">CHNL-1</p> <p style="text-align: center;">- 0.0 m3</p> <p style="text-align: center;">25.678 m3/h 1.370 m/s</p> <p>11/11/07 10:56:00</p>	<p>The three-line display screen is configurable to show flow, totalisers and diagnostic functions.</p> <p>Change to other measurement and diagnostic displays by pressing the RIGHT ▶ and DOWN ▼ keys.</p>

Table 10: Main process value display in three-line display format

5.4.3 Diagnostic display


Used keys	Display screen	Operation
	<p style="text-align: center;">DIAGNOSTIC 1</p> <p style="text-align: center;">55.2 Gain</p> <p style="text-align: center;">20.5 Signal</p> <p style="text-align: center;">-10.0 Noise</p> <p>11/11/07 10:56:00</p>	<p>Line 1 shows the amplifier gain.</p> <p>Line 2 displays the signal strength.</p> <p>Line 3 indicates the noise.</p> <p>Change to more diagnostic displays by pressing DOWN ▼.</p> <p>Refer to Customer Support for the meanings of each diagnostic screen.</p>

Table 11: Diagnostic display



Diagnostic displays can be viewed directly during measurement. Other diagnostic functions are available in the menu structure.

5.4.4 Totaliser



The totaliser displays will only be shown when the totalisers are activated.


Used keys	Display screen	Operation
	TOTALISER -1 - 1.3 m ³ 25.678 m³/h 37.3 m ³ 11/11/07 10:56:00	The flow totaliser can be started or reset by selecting “Totaliser” from the main menu. The totaliser can be viewed on the three-line display as shown or by selecting a quantity as the middle unit. View the three-line menu by pressing the RIGHT ▶ key.

Table 12: Totaliser display

5.4.5 Dual-channel measurement screen



This option is enabled only on multi-channel meters.



Used keys	Display screen	Operation
 	DUAL-1 37.3 m³/h 1.370 11/11/07 10:56:00	Line 1 shows the PV on the selected channel. Line 2 shows the selected units. Line 3 shows the PV on the other channel (in its selected units) Change to other measurement and diagnostic screens by pressing the RIGHT ▶ and DOWN ▼ keys.

Table 13: Dual-channel measurement screen

5.4.6 “Math” display



This option is enabled only on multi-channel meters.



Used keys	Display screen	Operation
 	DUAL-1 37.3 m³/h 1.370 11/11/07 10:56:00	Displays the “Math” function (when enabled on multi-channel meters). “Sum”, “Difference”, “Average” and “Maximum” can be selected in the “Calculation” menu. “Average” shown in illustration. Change to other measurement and diagnostic screens by pressing the RIGHT ▶ and DOWN ▼ keys.

Table 14: “Math” display

KATflow 170

OPERATION

5.4.7 Data logger

- The data logger is enabled from the “Main Menu” and operates when a non-zero value is entered for the interval.
- Items to be logged are selected from the “Selection” screen. **ENT** selects and deselects items.
- Up to ten items may be selected.
- If no items are selected the logger will record blank space.
- Send logger by serial port to a terminal program by selecting “Log Download”.
- Clear the logger by selecting “Log Erase”.
- Remaining logger space can be seen in the diagnostic displays.
- Logged data can be downloaded, viewed and exported using the KATdata+ software except when “Wrap Mode” has been enabled.



6 COMMISSIONING

6.1 Menu structure

Main menu	Menu level 1	Menu level 2	Description/settings
Quick Start			
	Setup Wizard CH1 or CH2		Select channel 1, channel 2
		Sensor type	Indication of sensor type and serial number if automatically detected, otherwise select from list ↓→ <ul style="list-style-type: none"> • K1N, K1L, K1E, K1Ex, K1P • K4N, K4L, K4E, K4Ex, K4P • K0, M, Q, Special
		Middle units (main displayed)	Select from list where available ↓→ <ul style="list-style-type: none"> • m/s, ft/s, in/s, m³/h, m³/min, m³/s, l/h, l/min, l/s • USgal/h, USgal/min, USgal/s, bbl/d, bl/h, bbl/min • g/s, t/h, kg/h, kg/min, m³, l, USgal, bbl, g, t, kg • W, kW, MW, J, kJ, MJ • Signal dB, noise dB, SNR (dB) • C m/s (sound speed), CU (housing temperature) • K (correction factor), REY (Reynolds number) • SOS, DEN, KIN, SHC (sound speed, density, kinematic viscosity, specific heat capacity from inputs/calculation) • TEMP (specified or measured fluid temperature) • PRESS (specified or measured fluid pressure) • T_{in}, T_{out} (inlet and outlet temperature) • Other (assignable input or calculated value) • Math (calculated value – see below)
		Pipe material	Select from list ↓→ <ul style="list-style-type: none"> • Stainless steel, Carbon steel, Ductile cast iron, Grey cast iron, Copper, Lead, PVC, PP, PE, ABS, Glass, Cement • User (pipe speed of sound)
		Pipe c-speed	(Only if user pipe material selected) 500 ... 5 000 m/s
		Outside diameter	6 ... 6 500 mm
		Wall thickness	0.5 ... 75 mm
		Inner diameter	6 ... 6 500 mm
		Fluid	Select from list ↓→ <ul style="list-style-type: none"> • Water, Salt water, Acetone, Alcohol, Ammonia Carbon Tet (carbon tetrachloride), Ethanol, Ethyl alcohol, Ethyl ether, Ethylene glycol, Glycol/water 50 %, Kerosene, Methanol, Methyl alcohol, Milk, Naphtha, Car oil, Refrigerant R134a, Refrigerant R22, Hydrochloric acid, Sour cream, Sulphuric acid, Toluene, Vinyl chloride • User (enter kinematic viscosity, density, medium c-speed)
		Kinematic viscosity	(Only if user fluid selected) 0 ... 30 000 mm ² /s
		Density	(Only if user fluid selected) 100 ... 2 000 kg/m ³

KATflow 170

COMMISSIONING

Main menu	Menu level 1	Menu level 2	Description/settings
		Medium c-speed	(Only if user fluid selected) 800 ... 3 500 m/s
		Temperature	-30 ... +300 °C
		Liner material	Select from list ↓→ <ul style="list-style-type: none"> • None • Epoxy, Rubber, PVDF, PP, Glass, Cement • User (liner c-speed)
		Liner c-speed	(Only if lining material selected) 500 ... 5 000 m/s
		Liner thickness	(Only if lining material selected) 1.0 ... 99.0 mm
		Passes	Select from list ↓→ Auto, 1 ... 16
	Start measure- ment		
		Sensor type	Indication of sensor type and serial number if automatically detected, otherwise select from list ↓→
		SP1 – Sensor frequency	Only for special, unrecognised sensors
		SP2 – Wedge angle	Only for special, unrecognised sensors
		SP3 – Wedge c-speed 1	Only for special, unrecognised sensors
		SP4 – Wedge c-speed 2	Only for special, unrecognised sensors
		SP5 – Crystal offset	Only for special, unrecognised sensors
		SP6 – Spacing offset	Only for special, unrecognised sensors
		SP7 – Zero flow offset	Only for special, unrecognised sensors
		SP8 – Upstream offset	Only for special, unrecognised sensors
		Sensor K factor	Only for special, unrecognised sensors
	Totaliser		Off, On Reset+ (positive total), Reset- (negative total) Reset both
Installation			Select channel 1, channel 2
	Pipe		
		Material	Select from pipe material list ↓→
		Outside dia	6 ... 6 500 mm (outside diameter)
		Wall thk	0.5 ... 75 mm (wall thickness)
		Inner dia	6 ... 6 500 mm (inner diameter)
		C-speed	600 ... 6 554 m/s (transverse sound speed pipe)

Main menu	Menu level 1	Menu level 2	Description/settings
		L-speed	600 ... 8 000 m/s (longitudinal sound speed pipe)
		Circumfer	18.8 ... 20 420 mm (pipe circumference)
		Roughness	0 ... 10 mm
	Medium		
		Fluid	Select from fluid list ↓→
		Kinematic viscosity	0 ... 30 000 mm ² /s
		Dynamic viscosity	0 ... 60 kg s ⁻¹ m ⁻¹
		Density	100 ... 2 000 kg/m ³
		C-speed	800 ... 3 500 m/s
		Temperature	-30 ... +300 °C
	Lining		
		Material	Select from material list ↓→
		Thickness	0.1 ... 99.9 mm
		C-speed	500 ... 6 553 m/s
	Passes		Select from list ↓→
Display			Select channel 1, channel 2
		Top line	Select units from list ↓→
		Middle line	Select units from list ↓→
		Bottom line	Select units from list ↓→
		Damping	Reduces fluctuations in the display output: 1 ... 255 s
		Metric/Imp.	Use metric or imperial units for entered data
In/Output			Lists available input/output slots Possible configurable settings below [where specified]
	I Out		Analogue current output (active or passive)
		Source	Select from list ↓→ Off, Channel 1, Channel 2, Math 1, Math 2, System, Test
		Units	Select from list ↓→
		Min. value	Min. process variable (PV) value that corresponds to 0 mA (only active) or 4 mA
		Max. value	Max. process variable (PV) value that corresponds to 20 mA
		Damping	Additional smoothing of the current output, the higher the damping factor: 1 ... 255 s
		Span	0 ... 20 mA (only active) or 4 ... 20 mA
		Error	Defines output behaviour in the event of error Select from list ↓→ <ul style="list-style-type: none"> • Hold (hold last value, select hold time) • 3.8 mA • 21.0 mA

KATflow 170

COMMISSIONING

Main menu	Menu level 1	Menu level 2	Description/settings
	Voltage Out		Analogue voltage output
		Source	Select from list ↓→ Off, Channel 1, Channel 2, Math 1, Math 2, System, Test
		Units	Select from list ↓→
		Min. value	Min. process variable (PV) value that corresponds to 0 V
		Max. value	Max. process variable (PV) value that corresponds to 10 V
		Damping	Additional smoothing of the current output, the higher the damping factor: 1 ... 255 s
		Error	Defines output behaviour in the event of error Select from list ↓→
	Frequency Out		Analogue frequency output
		Source	Select from list ↓→ Off, Channel 1, Channel 2, Math 1, Math 2, System, Test
		Units	Select from list ↓→
		Min. value	Min. process variable (PV) value that corresponds to minimum frequency
		Max. value	Max. process variable (PV) value that corresponds to maximum frequency
		Damping	Additional smoothing of the current output, the higher the damping factor: 1 ... 255 s
	Pulse Out		Digital open-collector output
		Source	Select from list ↓→ Off, Channel 1, Channel 2, Math 1, Math 2, System, Test
		Units	Select from list ↓→
		Mode	Select from list ↓→ Alarm: PV alarm switch <ul style="list-style-type: none"> On point – Value of the process variable (PV) at which the relay switches to alarm mode Off point – Value of the process variable (PV) at which the relay interrupts the alarm mode again Pulse: Sum value of the selected process variable (PV) for which a pulse signal is generated, e. g. PV [m ³ /h], pulse value = 10, a pulse is generated every 10 m ³ <ul style="list-style-type: none"> Value: 0.01 ... 1 000 Width: Duration of the pulse 30 ... 999 ms Source (Grand, Positive, Negative) Linear: Calculated maximum number of pulses per second, i. e. the maximum pulse rate in Hz <ul style="list-style-type: none"> Min. value Max. value Damping (in s)
	Relay Out		Digital relay output
		Source	Select from list ↓→ Off, Channel 1, Channel 2, Math 1, Math 2, System, Test
		Units	Select from list ↓→

Main menu	Menu level 1	Menu level 2	Description/settings
		Mode	Select from list ↓→ Alarm: <ul style="list-style-type: none"> On point – Value of the process variable (PV) at which the relay switches to alarm mode Off point – Value of the process variable (PV) at which the relay interrupts the alarm mode again Pulse: <ul style="list-style-type: none"> Value Width Linear: <ul style="list-style-type: none"> Min. value Max. value Damping
	Pt 100 4 Wire		Temperature input
		Source	Select from list ↓→ Off, Channel 1, Channel 2, Math 1, Math 2, System, Test
		Type	Select from list ↓→ <ul style="list-style-type: none"> User – Input of a temperature value defined by the user within the range 0 ... +250 °C Pt 100 – Temperature (in °C) determined and read in by a probe (Pt 100)
		In-Out	Select from list ↓→ <ul style="list-style-type: none"> Inlet – Input of a fixed temperature value for the inlet within the range 0 ... +250 °C Outlet – Input of a fixed temperature value for the outlet within the range 0 ... +250 °C Comp. – Input of a user-defined offset within the range -100 ... +100 °C
	Current In		Analogue current input (passive or active)
		Source (channel)	Select from list ↓→ Off, Channel 1, Channel 2, Math 1, Math 2, System, Test
		Source (value)	Select from list ↓→ Density, Viscosity, Temperature, Pressure, Other
		Min. Value	Minimum as on outputs
		Max. Value	Maximum as on outputs
		Span	0 ... 20 mA or 4 ... 20 mA
	RS 485		[where specified]
	Modbus TCP		Enter address
	HART		[HART® compatible output, where specified]
	Other In/Out types		Refer to Technical Support
System			
	Instrument info		
		Model code	KF170
		Serial number	Example: 20000003
		HW revision	Example: 3.00, 1.50

KATflow 170

COMMISSIONING

Main menu	Menu level 1	Menu level 2	Description/settings
		SW revision	Example: 4.22-7565, 3.04
	Calculation		
		Select channel	Select channel 1, channel 2
		Low flow cut off	± Low flow velocity cut off: 0 ... 0.10 m/s
		Max. flow cut off	± Maximum flow velocity cut off: 0 ... 30 m/s
		Corrected	Apply flow velocity profile correction: Yes/No
		PV offset	Calibration process variable zero offset: -30 ... +30 units
		PV scaling	Calibration process variable gradient scaling: 0 ... 1 000 units
		Zero calibration	Zero calibration settings Adjust: <ul style="list-style-type: none"> Zero (Yes/No): Sets current flow as zero (Perform auto zero calibration) Track (Yes/No): Zero follows output variations Delta time: Zero flow offset in ns (Zero flow delta time offset in ns, read from sensor PROM or entered directly for special sensors) Time up: Transit time offset in μs, for delays in special sensors, thermal buffers and cable extensions
		Math Function	Select from list ↑↓ None, Sum, Difference, Average (mean), Maximum
		Heat Capacity	Specify heat capacity of the medium
	User		
		Identifier	Example: Pump P3A (9 character string possible)
		Tag No	Tag Number: Example: 1FT-3011 (9 character string possible)
		Password	Set 4 character password (default 1111)
	Test		
		Installation	Control system simulation 60 second ramping up of flow velocity in m/s from 0 to programmed Max. flow cut off and subsequent 60 second ramping down All configured outputs will exhibit their programmed behaviour Test Mode: Yes/No
		Display	Display screen test routine
		Keypad	Keypad test routine
		Memory	Memory test routine Memory erase: Yes/No
		Peripherals	Unit temperature, time, date, clock
		Ultrasonics	Tests ultrasonic board and sensors
		Calibrate Pt 100s	Tests measured temperature and resistance
		Reset Pt 100s	Resets temperature inputs
	Settings		
		Date	Example: 18/11/2019
		Time	Example: 09:27:00

Main menu	Menu level 1	Menu level 2	Description/settings
		Date format	Select from list ↓→ <ul style="list-style-type: none"> • dd/mm/yy • mm/dd/yy • yy/mm/dd
		Language	Select from list (as available) ↓→ English, German, French, Spanish, Russian
		Keypad	Keypad sound: Yes/ No
	Defaults		Load default settings (except date and time): Yes/No
Diagnostics			
			Shows measured temperature, available logger memory (Cycle using ENT)
Data logger			
		Interval	Enter logging interval in seconds: 0 ... 999 s
		Selection	Select from list ↓→ ENT selects and deselects Up to ten variables may be logged
		Low memory	Warning output: Logger space remaining at low memory alarm 0 ... 100 %
		Log download	Sends all logger data using serial port
		Log erase	Clears the logger
		Log wrap	Saves “selected” items as a continuous stream without headers (Note : this means files cannot be processed by KATdata+) Yes/No
Serial comms			Serial communication
		Mode	Select from list ↓→ <ul style="list-style-type: none"> • None • Printer (continuous 1 s serial ASCII output) • Diagnostic • Download (send logger data using serial port) • Cal Test (laboratory calibration, not recommended for field or customer use)
		Baud	Select from list ↓→ <ul style="list-style-type: none"> • 9 600 (default) • 19 200 • 57 600 • 115 200
		Parity	Select from list ↓→ <ul style="list-style-type: none"> • None • Even (default) • Odd
		Type	Select from list ↓→ RS 232, RS 485 etc. (as installed)
Scope			Hidden option that can be accessed by pressing ALT three times in the main menu

KATflow 170

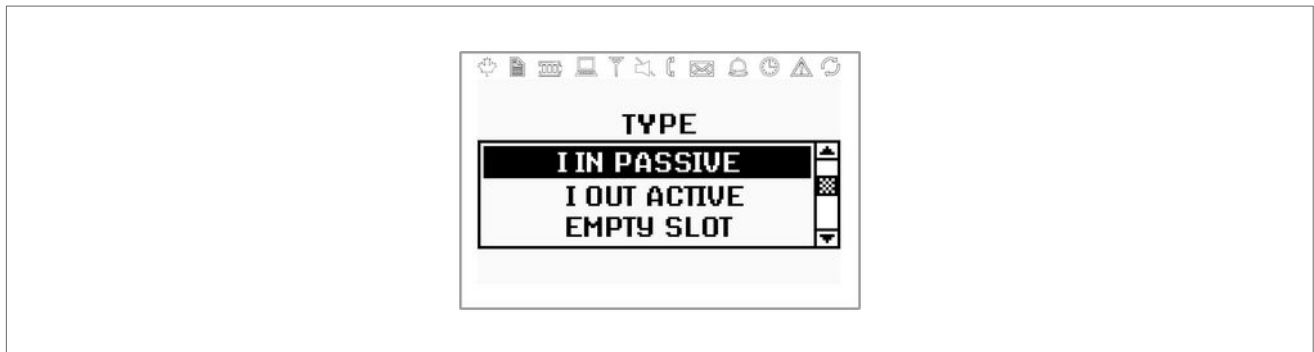
COMMISSIONING

Main menu	Menu level 1	Menu level 2	Description/settings
			Shows the received acoustic pulse and further data to evaluate the signal quality as an oscilloscope function on channel 1 only (see Section 6.8)

Table 15: Menu structure KATflow 170

6.2 Output configuration

The assignment of slots is detected by the flowmeter, and will be as shown in the “In/Output” menu. The following picture shows an example assignment with a passive current input on slot 1 (line 1) and an active current output on slot 2 (line 2).



Picture 16: Display example passive current input

6.2.1 Serial interface

The RS 232 serial interface can be used to transmit data online over distances up to 15 m, to download the integral data logger content, for device configuration and maintenance tasks or to communicate with peripheral equipment. The settings can be found in the “Serial Communication” submenu.

6.2.2 Modbus RTU

The interface is used for networking up to 32 flowmeters to a centralised computer system. Each flowmeter is given an unique address to be able to communicate effectively. The communication protocol used conforms to the conventions of the Modbus RTU protocol, a description of which is given in a separate document. Please refer to Customer Support for further information.

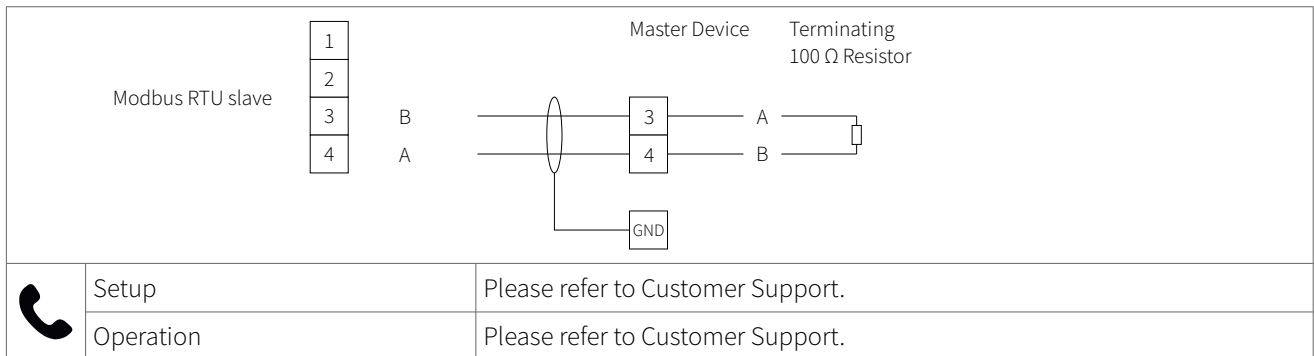


Table 16: Wiring Modbus RTU

6.2.3 HART® compatible output

The KATflow 170 can also be configured with an optional module which responds to output commands conforming to the HART® protocol. Please refer to Customer Support for further information.

HART® is a registered trademark of the HART Communication Foundation.

Electrical characteristics	<ul style="list-style-type: none"> Galvanically isolated from main electronics and from other inputs and outputs 4 process variables selectable (PV, SV, TV and FV) Analogue: 4 ... 20 mA passive, $R_{Load} = 220 \Omega$, $U = 24 V$, accuracy: 0.1 % of measured value 	
	Setup	Please refer to Customer Support.
	Operation	Please refer to Customer Support.

Table 17: Wiring HART® compatible output

6.2.4 Analogue current output 0/4 ... 20 mA

The analogue current outputs operate in a 4 ... 20 mA or 0 ... 20 mA span.

Current outputs may be assigned to process values in the “Mode” section of the output menu. The outputs can be programmed and scaled within the menu structure.

Active I out (optional)		0/4 ... 20 mA, load $\leq 500 \Omega$
Passive I out (optional)		4 ... 20 mA, load $\leq 500 \Omega$
Electrical characteristics	<ul style="list-style-type: none"> 0/4 ... 20 mA active and 4 ... 20 mA passive options Galvanically isolated from main electronics and from other inputs and outputs Active: $U = 30 V$, $R_{Load} < 500 \Omega$, 16 bit resolution, accuracy: 0.1 % of measured value Passive: $U = 9 \dots 30 V$, $R_{Load} < 500 \Omega$, 16 bit resolution, accuracy: 0.1 % of measured value 	

Table 18: Wiring analogue current output 0/4 ... 20 mA

KATflow 170

COMMISSIONING

6.2.5 Analogue voltage output 0 ... 10 V

Voltage outputs may be assigned to process values in the “Mode” section of the output menu. The outputs can be programmed and scaled within the menu structure.

Volts out (optional)	
Electrical characteristics	<ul style="list-style-type: none"> Galvanically isolated from main electronics and from other inputs and outputs Range: 0 ... 10 V $R_{Load} = 1\text{ k}\Omega$, $C_{Load} = 200\text{ pF}$ Resolution: 16 bit, accuracy: 0.1 % of measured value

Table 19: Wiring analogue voltage output 0 ... 10 V

6.2.6 Analogue frequency output (passive)

Frequency outputs may be assigned to process values in the “Mode” section of the output menu. The outputs can be programmed and scaled within the menu structure.

Frequency (analogue output) (optional)	
Electrical characteristics	<ul style="list-style-type: none"> Galvanically isolated from main electronics and from other inputs and outputs 2 Hz ... 10 kHz $U = 24\text{ V}$, $I_{max} = 4\text{ mA}$

Table 20: Wiring analogue frequency output (passive)

6.2.7 Digital open-collector output

Open-collector outputs may be assigned to process values in the “Mode” section of the output menu. The outputs are configured using the menu structure.

The totaliser function is enabled and controlled using the menu structure.

Optically switched relay "Open-Collector" (optional)	
Electrical characteristics	<ul style="list-style-type: none"> Galvanically isolated from main electronics and from other inputs and outputs Function: Alarm or Totaliser Totaliser value: 0.01 ... 1 000/unit Width: 1 ... 990 ms $U = 24\text{ V}$, $I_{max} = 4\text{ mA}$ NO and NC contacts

Table 21: Wiring digital open-collector output

6.2.8 Digital relay output

Relay outputs may be assigned to process values in the “Mode” section of the output menu. The relay outputs are configured using the menu structure.

Relay (optional)		— NO — — NO — — NC — — NC —
Electrical characteristics	<ul style="list-style-type: none"> Galvanically isolated from main electronics and from other inputs and outputs Function: Alarm or Totaliser Totaliser value: 0.01 ... 1 000/unit Width: 1 ... 990 ms $U = 48\text{ V}$, $I_{\text{max}} = 250\text{ mA}$ NO and NC contacts 	

Table 22: Wiring digital relay output

6.3 Input configuration

6.3.1 Pt 100 inputs

Temperature input Pt 100 3-wire (optional)	<table border="1" style="width: 100%; border-collapse: collapse;"> <tr><td style="text-align: center;">1</td></tr> <tr><td style="text-align: center;">2</td></tr> <tr><td style="text-align: center;">3</td></tr> <tr><td style="text-align: center;">4</td></tr> </table>	1	2	3	4	-FEED -R +R +FEED		Pt 100 temperature sensor
1								
2								
3								
4								
Temperature input Pt 100 4-wire (optional)	<table border="1" style="width: 100%; border-collapse: collapse;"> <tr><td style="text-align: center;">1</td></tr> <tr><td style="text-align: center;">2</td></tr> <tr><td style="text-align: center;">3</td></tr> <tr><td style="text-align: center;">4</td></tr> </table>	1	2	3	4	-FEED -R +R +FEED		Pt 100 temperature sensor
1								
2								
3								
4								
Electrical characteristics	<ul style="list-style-type: none"> Pt 100 options: three- or four-wire circuit Galvanically isolated from main electronics and from other inputs and outputs Measurement range: $-50 \dots +400\text{ °C}$ ($-58 \dots +752\text{ °F}$) Resolution: 0.01 K, accuracy: $\pm 0.02\text{ K}$ 							

Table 23: Wiring Pt 100 inputs

KATflow 170

COMMISSIONING

6.3.2 Analogue current input 0/4 ... 20 mA

Active analogue input (optional)	1	-		0/4 ... 20 mA, active input
	2	I_{in}		
3	I_{in}			
4	30 V DC			
Passive analogue input (optional)	1	-		4 ... 20 mA, passive input
	2	I_{in}		
	3	I_{in}		
	4	30 V DC		
Electrical characteristics	<ul style="list-style-type: none"> • 0/4 ... 20 mA active or 4 ... 20 mA passive • $U = 30\text{ V}$, $R_i = 50\ \Omega$, accuracy: 0.1 % of measured value 			

Table 24: Wiring analogue current input 0/4 ... 20 mA

6.4 Temperature compensation

With temperature compensation enabled the temperature dependency of the medium in relation to speed of sound, viscosity and density calculations will be compensated. The “In/Output” menu will then allow the user to select the temperature input source, either Pt 100 temperature sensors or via a 0/4 ... 20 mA input channel.

6.5 Heat quantity measurement

Where equipped, heat quantity (energy) and heat flow (energy flow) can be measured. If a heat quantity unit is specified for the process value, the KATflow 170 will ask the user for the specific heat capacity of the medium in J/g/K (for example 4.186 J/g/K for water).

The output options menu for the Pt 100 will allow the user to select the temperature input source; either Pt 100 temperature sensors or a fixed value for measurement against a known inlet or outlet temperature. Where Pt 100 sensors are selected, the Wizard will prompt the user for a temperature offset, which may be useful where the temperature of the medium differs from the temperature of the pipe wall (for example with unlagged pipes). If a fixed value is selected, the user will be asked to specify this value.

When heat quantity units are selected, these behave as any other process value and may be totalised, logged, or applied to a process output.

6.6 Sound velocity measurement

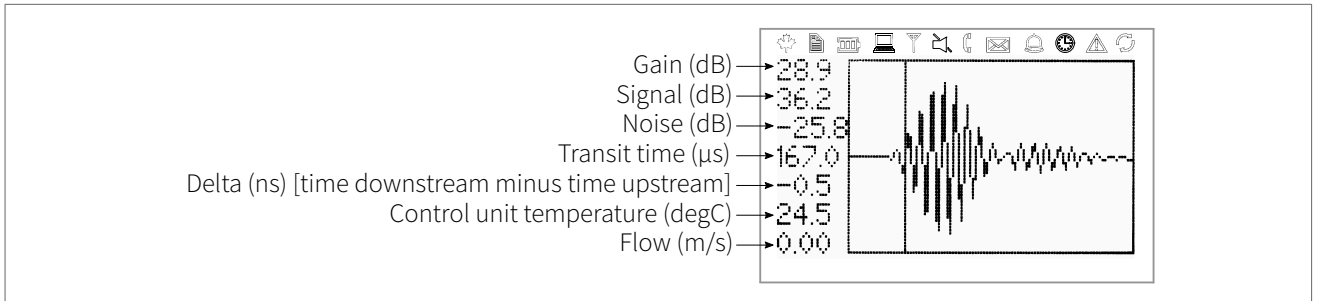
The measured speed of sound (SOS) is available as a diagnostic function during measurement and may be applied to a process output by selecting “C” from the appropriate output menu.

6.7 Dual-channel flow calculations

Where suitably equipped, dual-channel calculations are available from the System - Calculation - Math menu. These allow the user to select the Sum, Difference, Average (mean) or Maximum of the two flow channels. This value may be displayed or applied to a process output by selecting “Math” from the appropriate output menu.

6.8 Scope function

Katronic flowmeters have an additional scope function which shows a representation of the pulse received by the sensors on channel 1. In addition to displaying the received pulse, this screen lists the data given from top to bottom (see Picture 17).



Picture 17: Scope function display

6.9 KATdata+ software

Software can be provided for downloading the contents of the data logger and communication with the flowmeter.

KATflow 170

MAINTENANCE

7 MAINTENANCE

The KATflow 170 flowmeters are maintenance free concerning the flow measurement functions. Within the scope of periodic inspections required for electrical equipment installed in hazardous areas, regular inspection for signs of damage or corrosion is recommended for the transducers, the junction box (if installed) and the explosion-proof flowmeter housing.

7.1 Opening/closing the Ex d compartment



The following instructions must always be carefully followed if opening the Ex d compartment of the KATflow 170 flowmeter. Ensure similar care is taken to close it when work is complete.

Before opening:

- Make certain that there is no explosion hazard.
- Site policies must be followed and all required documentation obtained before commencing work.
- Make sure that all connecting cables are safely isolated from all external sources.
- Allow the electronics to de-energize before opening the electronics compartment of the explosion-proof housing. Wait at least ten minutes before opening.
- When the instructions above have been strictly followed, the cover of the explosion-proof compartment may be opened. Unlock the locking screw and carefully turn the cover.

Closing:

- Screw the cover of the Ex d compartment and tighten it firmly and lock it with the locking screw using a suitable Allen key.

7.2 Service/Repair

The KATflow 170 flowmeters have been carefully manufactured and tested. If installed and operated in accordance with the operating instructions, no problems are usually experienced.

Should you nevertheless need to return a device for inspection or repair, please pay attention to the following points:



- Due to statutory regulations on environmental protection and safeguarding the health and safety of our personnel, the manufacturer may only handle, test and repair returned devices that have been in contact with products without risk to personnel and environment.
- This means that the manufacturer can only service this device if it is accompanied by a Customer Return Note (CRN) confirming that the device is safe to handle.

If the device has been operated with toxic, caustic, flammable or water-endangering products, you are kindly requested:



- To check and ensure, if necessary by rinsing or neutralising, that all cavities are free from such dangerous substances,
- to enclose a certificate with the device confirming that is safe to handle and stating the product used.

8 TROUBLESHOOTING

8.1 Measurement difficulties and error messages

Most problems with measurement are due to poor signal strength or quality. Initial checks should include:

- Has sufficient acoustic coupling paste been applied?
- Can the number of sound passes be changed? As a general rule, more passes will improve accuracy, fewer passes will give better signal strength.
- Are there any nearby sources of noise or disturbance?
- Can the signal be improved by moving the sensors around the circumference of the pipe?
- Are the application parameters correct?

Should there be the need to call Customer Service, please let us know the following details:



- Model code,
- Serial number,
- SW, HW revision,
- Error log list.

Possible error messages may include the following:

Error message	Group	Description	Error handling
USB INIT FAIL	Hardware	Internal board communication error	Power on/off, otherwise call Customer Support
NO SERIAL NO.	Hardware	Failed to read from FRAM	Call Customer Support
NO VERSION NO.	Hardware	Failed to read from FRAM	Call Customer Support
PARA READ FAIL	Hardware	Failed to read from FRAM	Load defaults, otherwise call Customer Support
PARA WRITE FAIL	Hardware	Failed to write from FRAM	Load defaults, otherwise call Customer Support
VAR READ FAIL	Hardware	Failed to read from FRAM	Call Customer Support
VAR WRITE FAIL	Hardware	Failed to write from FRAM	Call Customer Support
SYSTEM ERROR	Hardware		Call Customer Support
VISIBILITY ERR	Hardware	Failed to read from FRAM	Call Customer Support
FRAM LONG WRITE ERR	Hardware	Failed to write from FRAM	Call Customer Support
FRAM READ ERR	Hardware	Failed to read from FRAM	Call Customer Support
RTC ERR	Hardware	Real Time Clock failure	Power on/off, otherwise call Customer Support
EXTMEM ERR	Hardware	Logger memory failure	Power on/off, otherwise call Customer Support
SPI ERR	Hardware	SPI bus failure	Power on/off, otherwise call Customer Support

KATflow 170

TROUBLESHOOTING

Error message	Group	Description	Error handling
I2C ERR	Hardware	I2C bus failure	Power on/off, otherwise call Customer Support
MATH ERR	Software	Internal calculation error	Call Customer Support
STACK ERR	Software	Internal calculation error	Call Customer Support
ADDR ERR	Software	Internal calculation error	Call Customer Support
OSC ERR	Software	Internal calculation error	Call Customer Support
ADC ERR	Software	Internal calculation error	Call Customer Support
IO ERR	Software	Internal calculation error	Call Customer Support
TIMING ERR	Software	Internal calculation error	Call Customer Support
COMM INIT ERR	Hardware	Internal communication error	Power on/off, otherwise call Customer Support
COMM START ERR	Hardware	Internal communication error	Power on/off, otherwise call Customer Support
COMM HS0 ERR	Hardware	Internal communication error	Power on/off, otherwise call Customer Support
COMM HS1 ERR	Hardware	Internal communication error	Power on/off, otherwise call Customer Support
COMM READ AVE ERR	Hardware	Internal communication error	Power on/off, otherwise call Customer Support
COMM READ RAW ERR	Hardware	Internal communication error	Power on/off, otherwise call Customer Support
COMM READ HISTORY ERR	Hardware	Internal communication error	Power on/off, otherwise call Customer Support
COMM CRC ERR	Hardware	Internal communication error	Power on/off, otherwise call Customer Support
SENSOR COUPLING ERR	Application	Weak sensor coupling, low SNR	Recouple sensors, check installation, reduce number of passes, look for other location, otherwise call Customer Support

Table 25: Error list

8.2 Data download difficulties

If difficulties are encountered downloading the logger data:

- Check that the flowmeter is switched on and not in measurement mode.
- Check that the same number COM port is allocated in the “Device Manager” (or equivalent) as is set in the KATdata+ software.
- Check that the settings (baud, parity, word length, stop bits) are identical.
- Use the supplied connectors – whether connecting to a 9-pin COM port or converting from serial communication to a Universal Serial Bus (USB).
- Is the logger in “Wrap Mode”? If “yes”, use a terminal program and the “Log Download” command. If “no”, the KATdata+ software may also be used.

KATflow 170

TECHNICAL DATA

9 TECHNICAL DATA

9.1 Sound speed of selected pipe materials

Material	Sound speed* shear wave (at +25 °C)	
	m/s	ft/s
Steel, 1 % Carbon, hardened	3 150	10 335
Carbon steel	3 230	10 598
Mild steel	3 235	10 614
Steel, 1 % Carbon	3 220	10 565
302 Stainless steel	3 120	10 236
303 Stainless steel	3 120	10 236
304 Stainless steel	3 141	10 306
304L Stainless steel	3 070	10 073
316 Stainless steel	3 272	10 735
347 Stainless steel	3 095	10 512
“Duplex” stainless steel	2 791	9 479
Aluminium	3 100	10 171
Aluminium (rolled)	3 040	9 974
Copper	2 260	7 415
Copper (annealed)	2 325	7 628
Copper (rolled)	2 270	7 448
CuNi (70 % Cu 30 % Ni)	2 540	8 334
CuNi (90 % Cu 10 % Ni)	2 060	6 759
Brass (Naval)	2 120	6 923
Gold (hard-drawn)	1 200	3 937
Inconel	3 020	9 909
Iron (electrolytic)	3 240	10 630
Iron (Armco)	3 240	10 630
Ductile iron	3 000	9 843
Cast iron	2 500	8 203
Monel	2 720	8 924
Nickel	2 960	9 712
Tin (rolled)	1 670	5 479
Titanium	3 125	10 253
Tungsten (annealed)	2 890	9 482
Tungsten (drawn)	2 640	8 661
Tungsten carbide	3 980	13 058
Zinc (rolled)	2 440	8 005
Glass (pyrex)	3 280	10 761
Glass (heavy silicate flint)	2 380	7 808
Glass (light borate crown)	2 840	9 318
Nylon	1 150	3 772
Nylon, 6-6	1 070	3 510
Polyethylene (LD)	540	1 772
PVC, CPVC	1 060	3 477
Acrylic resin	1 430	4 690
PTFE	2 200	7 218

Table 26: Technical data pipe material

*Note these values are to be considered nominal. Solids may be inhomogeneous and anisotropic. Actual values depend on exact composition, temperature, and to a lesser extent, on pressure and stress.

9.2 Technical data of selected fluids

All data given at +25 °C (+77 °F) unless otherwise stated				Sound speed				Change of sound speed per °C		Viscosity (kinematic)			
Substance	Chemical formula	Density g · cm ⁻³		m · s ⁻¹		ft · s ⁻¹		m · s ⁻¹ · °C ⁻¹		mm ² · s ⁻¹		10 ⁻⁶ · ft ² · s ⁻¹	
Acetic acid, anhydride	(CH ₃ CO) ₂ O	1.082	20 °C	1 180.0		3 871.4		2.50		0.769		8.274	
Acetic acid, nitrile	C ₂ H ₃ N	0.783		1 290.0		4 232.3		4.10		0.441		4.745	
Acetic acid, ethyl ester	C ₄ H ₈ O ₂	0.901		1 085.0		3 559.7		4.40		0.467		5.025	
Acetic acid, methyl ester	C ₃ H ₆ O ₂	0.934		1 211.0		3 973.1				0.407		4.379	
Acetone	C ₃ H ₆ O	0.791		1 174.0		3 851.7		4.50		0.399		4.293	
Acetylene dichloride	C ₂ H ₂ Cl ₂	1.260		1 015.0		3 330.1		3.80		0.400		4.304	
Acetylene tetrachloride	C ₂ H ₂ Cl ₄	1.595		1 147.0		3 763.1		3.80		1.156	15 °C	12.440	15 °C
Alcohol	C ₂ H ₆ O	0.789		1 207.0		3 960.0		4.00		1.396		15.020	
Ammonia	NH ₃	0.771		1 729.0	-33 °C	5 672.6	-27 °C	6.68		0.292	-33 °C	3.141	-27 °F
Benzene	C ₆ H ₆	0.879		1 306.0		4 284.8		4.65		0.711		7.650	
Benzol	C ₆ H ₆	0.879		1 306.0		4 284.8		4.65		0.711		7.650	
Bromine	Br ₂	2.928		889.0		2 916.7		3.00		0.323		3.475	
n-Butane (2)	C ₄ H ₁₀	0.601	0 °C	1 085.0	-5 °C	3 559.7	23 °C	5.80					
2-Butanol	C ₄ H ₁₀ O	0.810		1 240.0		4 068.2		3.30		3.239		34.851	
sec-Butylalcohol	C ₄ H ₁₀ O	0.810		1 240.0		4 068.2		3.30		3.239		34.851	
n-Butyl bromide (46)	C ₄ H ₉ Br	1.276	20 °C	1 019.0	20 °C	3 343.2	68 °F			0.490	15 °C	5.272	59 °C
n-Butyl chloride (22,46)	C ₄ H ₉ Cl	0.887		1 140.0		3 740.2		4.57		0.529	15 °C	5.692	59 °F
Carbon tetrachloride	CCl ₄	1.595	20 °C	926.0		3 038.1		2.48		0.607		6.531	
Carbon tetrafluoride (Freon 14)	CF ₄	1.750	-150 °C	875.2	-150 °C	2 871.5	-238 °F	6.61					
Chloroform	CHCl ₃	1.489		979.0		3 211.9		3.40		0.550		5.918	
Dichlorodifluoromethane (Freon 12)	CCl ₂ F ₂	1.516	40 °C	774.1		2 539.7		4.24					
Ethanol	C ₂ H ₆ O	0.789		1 207.0		3 960.0		4.00		1.390		14.956	
Ethyl acetate	C ₄ H ₈ O ₂	0.901		1 085.0		3 559.7		4.40		0.489		5.263	
Ethyl alcohol	C ₂ H ₆ O	0.789		1 207.0		3 960.0		4.00		1.396		15.020	
Ethyl benzene	C ₈ H ₁₀	0.867	20 °C	1 338.0	20 °C	4 890.8	68 °F			0.797	17 °C	8.575	63 °F
Ether	C ₄ H ₁₀ O	0.713		985.0		3 389.8		4.87		0.311		3.346	
Ethyl ether	C ₄ H ₁₀ O	0.713		985.0		3 231.6		4.87		0.311		3.346	
Ethylene bromide	C ₂ H ₄ Br ₂	2.180		995.0		3 264.4				0.790		8.500	
Ethylene chloride	C ₂ H ₄ Cl ₂	1.253		1 193.0		3 914.0				0.610		6.563	
Ethylene glycol	C ₂ H ₆ O ₂	1.113		1 658.0		5 439.6		2.10		17.208	20 °C	185.158	68 °F
Fluorine	F	0.545	-143 °C	403.0	-143 °C	1 322.2	-225 °F	11.31					
Formaldehyde, methyl ester	C ₂ H ₄ O ₂	0.974		1 127.0		3 697.5		4.02					
Freon R12				774.2		2 540.0		6.61					
Glycol	C ₂ H ₆ O ₂	1.113		1 658.0		5 439.6		2.10					
50 % Ethylene glycol/ 50 % Water				1 578.0		5 177.0							
Isopropanol	C ₃ H ₈ O	0.785	20 °C	1 170.0	20 °C	3 838.6	68 °F			2.718		29.245	
Isopropyl alcohol (46)	C ₃ H ₈ O	0.785	20 °C	1 170.0	20 °C	3 838.6	68 °F			2.718			

KATflow 170

TECHNICAL DATA

All data given at +25 °C (+77 °F) unless otherwise stated				Sound speed			Change of sound speed per °C	Viscosity (kinematic)		
Substance	Chemical formula	Density g · cm ⁻³		m · s ⁻¹	ft · s ⁻¹		m · s ⁻¹ · °C ⁻¹	mm ² · s ⁻¹	10 ⁻⁶ · ft ² · s ⁻¹	
Kerosene		0.810		1 324.0	4 343.8		3.60			
Methane	CH ₄	0.162	-89 °C	405.0	-89 °C	1 328.7	-128 °F	17.50		
Methanol	CH ₄ O	0.791	20 °C	1 076.0		3 530.2		292.00	0.695	7.478
Methyl acetate	C ₃ H ₆ O ₂	0.934		1 211.0		3 973.1			0.407	4.379
Methyl alcohol	CH ₄ O	0.791		1 076.0		3 530.2		292.00	0.695	7.478
Methyl benzene	C ₇ H ₈	0.867		1 328.0	20 °C	4 357.0	68 °F	4.27	0.644	7.144
Milk, homogenised				1 548.0		5 080.0				
Naphtha		0.760		1 225.0		4 019.0				
Natural gas		0.316	-103 °C	753.0	-103 °C	2 470.5	-153 °F			
Nitrogen	N ₂	0.808	-199 °C	962.0	-199 °C	3 156.2	-326 °F		0.217	2.334
Oil, Car (SAE 20a.30)		1.740		870.0		2 854.3			190.000	2 045.093
Oil, Castor	C ₁₁ H ₁₀ O ₀	0.969		1 477.0		4 845.8		3.60	0.670	7.209
Oil, Diesel		0.800		1 250.0		4 101.0				
Oil, Fuel AA gravity		0.990		1 485.0		4 872.0		3.70		
Oil (Lubricating X200)				1 530.0		5 019.9				
Oil (Olive)		0.912		1 431.0		4 694.9		2.75	100.000	1 076.365
Oil (Peanut)		0.936		1 458.0		4 738.5				
Propane (-45 to -130 °C)	C ₃ H ₈	0.585	-45 °C	1 003.0	-45 °C	3 290.6	-49 °F	5.70		
1-Propanol	C ₃ H ₈ O	0.780	20 °C	1 222.0	20 °C	4 009.2	68 °F			
2-Propanol	C ₃ H ₈ O	0.785	20 °C	1 170.0	20 °C	3 838.6	68 °F		2.718	29.245
Propene	C ₃ H ₆	0.563	-13 °C	963.0	13 °C	3 159.4	9 °F	6.32		
n-Propylalcohol	C ₃ H ₈ O	0.780	20 °C	1 222.0	20 °C	4 009.2	68 °F		2.549	27.427
Propylene	C ₃ H ₆	0.563	-13 °C	963.0	-13 °C	3 159.4	9 °F	6.32		
Refrigerant 11	CCl ₃ F	1.490		828.3	0 °C	2 717.5	32 °F	3.56		8.500
Refrigerant 12	CCl ₂ F ₂	1.516	-40 °C	774.1	-40 °C	2 539.7	-40 °C	4.24		
Refrigerant 14	CF ₄	1.750	-150 °C	875.2	-150 °C	2 871.6	-268 °F	6.61		
Refrigerant 21	CHCl ₂ F	1.426	0 °C	891.0	0 °C	2 923.2	32 °F	3.97		
Refrigerant 22	CHClF ₂	1.491	-69 °C	893.9	50 °C	2 923.2	32 °F	4.79		
Refrigerant 113	CCl ₂ F- CClF ₂	1.563		783.7	0 °C	2 571.2	32 °F	3.44		
Refrigerant 114	CClF ₂ - CClF ₂	1.455		665.3	-10 °C	2 182.7	14 °F	3.73		
Refrigerant 115	C ₂ ClF ₅			656.4	-50 °C	2 153.5	-58 °F	4.42		
Refrigerant C318	C ₄ F ₈	1.620	-20 °C	574.0	-10 °C	1 883.2	14 °F	3.88		
Sodium nitrate	NaNO ₃	1.884	336 °C	1 763.3	336 °C	5 785.1	637 °F	0.74	1.370	14.740
Sodium nitrite	NaNO ₂	1.805	292 °C	1 876.8	292 °C	6 157.5	558 °F			
Sulphur	S			1 177.0	250 °C	3 861.5	482 °F	-1.13		
Sulphuric Acid	H ₂ SO ₄	1.841		1 257.6		4 126.0		1.43	11.160	120.081
Tetrachloroethane	C ₂ H ₂ Cl ₄	1.553	20 °C	1 170.0	20 °C	3 838.6	68 °F		1.190	12.804
Tetrachloroethene	C ₂ Cl ₄	1.632		1 036.0		3 399.0				
Tetrachloromethane	CCl ₄	1.595	20 °C	926.0		3 038.1			0.607	6.531
Tetrafluoromethane (Freon 14)	CF ₄	1.750	-150 °C	875.2	-150 °C	2 871.5	-283 °F	6.61		

All data given at +25 °C (+77 °F) unless otherwise stated				Sound speed				Change of sound speed per °C		Viscosity (kinematic)			
Substance	Chemical formula	Density g · cm ⁻³		m · s ⁻¹		ft · s ⁻¹		m · s ⁻¹ · °C ⁻¹		mm ² · s ⁻¹		10 ⁻⁶ · ft ² · s ⁻¹	
Toluene	C ₇ H ₈	0.867	20 °C	1 328.0	20 °C	4 357.0	68 °F	4.27		0.644		6.929	
Toluol	C ₇ H ₈	0.866		1 308.0		4 291.3		4.20		0.580		6.240	
Trichlorofluoromethane (Freon 11)	CCl ₃ F	1.490		828.3	0 °C	2 717.5	32 °F	3.56					
Turpentine		0.880		1 255.0		4 117.5				1.400		15.064	
Water, distilled	H ₂ O	0.996		1 498.0		4 914.7		-2.40		1.000		10.760	
Water, heavy	D ₂ O			1 400.0		4 593.0							
Water, sea		1.025		1 531.0		5 023.0		-2.40		1.000		10.760	

Table 27: Technical data of fluids

KATflow 170

TECHNICAL DATA

9.3 Dependence between temperature and sound speed in water

Temperature		Sound speed in water	
°C	°F	m/s	ft/s
0	32.0	1 402	4 600
1	33.8	1 407	4 616
2	35.6	1 412	4 633
3	37.4	1 417	4 649
4	39.2	1 421	4 662
5	41.0	1 426	4 679
6	42.8	1 430	4 692
7	44.6	1 434	4 705
8	46.4	1 439	4 721
9	48.2	1 443	4 734
10	50.0	1 447	4 748
11	51.8	1 451	4 761
12	53.6	1 455	4 774
13	55.4	1 458	4 784
14	57.2	1 462	4 797
15	59.0	1 465	4 807
16	60.8	1 469	4 820
17	62.6	1 472	4 830
18	64.4	1 476	4 843
19	66.2	1 479	4 853
20	68.0	1 482	4 862
21	69.8	1 485	4 872
22	71.6	1 488	4 882
23	73.4	1 491	4 892
24	75.2	1 493	4 899
25	77.0	1 496	4 908
26	78.8	1 499	4 918
27	80.6	1 501	4 925
28	82.4	1 504	4 935
29	84.2	1 506	4 941
30	86.0	1 509	4 951
31	87.8	1 511	4 958
32	89.6	1 513	4 964
33	91.4	1 515	4 971
34	93.2	1 517	4 977
35	95.0	1 519	4 984
36	96.8	1 521	4 984
37	98.6	1 523	4 990
38	100.4	1 525	4 997
39	102.2	1 527	5 010
40	104.0	1 528	5 013
41	105.8	1 530	5 020
42	107.6	1 532	5 026
43	109.4	1 534	5 033
44	111.2	1 535	5 036
45	113.0	1 536	5 040
46	114.8	1 538	5 046
47	116.6	1 538	5 049
48	118.4	1 540	5 053
49	120.2	1 541	5 056
50	122.0	1 543	5 063

KATflow 170

TECHNICAL DATA

Temperature		Sound speed in water	
°C	°F	m/s	ft/s
51	123.8	1 543	5 063
52	125.6	1 544	5 066
53	127.4	1 545	5 069
54	129.2	1 546	5 072
55	131.0	1 547	5 076
56	132.8	1 548	5 079
57	134.6	1 548	5 079
58	136.4	1 548	5 079
59	138.2	1 550	5 086
60	140.0	1 550	5 086
61	141.8	1 551	5 089
62	143.6	1 552	5 092
63	145.4	1 552	5 092
64	147.2	1 553	5 092
65	149.0	1 553	5 095
66	150.8	1 553	5 095
67	152.6	1 554	5 099
68	154.4	1 554	5 099
69	156.2	1 554	5 099
70	158.0	1 554	5 099
71	159.8	1 554	5 099
72	161.6	1 555	5 102
73	163.4	1 555	5 102
74	165.2	1 555	5 102
75	167.0	1 555	5 102
76	167.0	1 555	5 102
77	170.6	1 554	5 099
78	172.4	1 554	5 099
79	174.2	1 554	5 099
80	176.0	1 554	5 099
81	177.8	1 554	5 099
82	179.6	1 553	5 095
83	181.4	1 553	5 095
84	183.2	1 553	5 095
85	185.0	1 552	5 092
86	186.8	1 552	5 092
87	188.6	1 552	5 092
88	190.4	1 551	5 089
89	192.2	1 551	5 089
90	194.0	1 550	5 086
91	195.8	1 549	5 082
92	197.6	1 549	5 082
93	199.4	1 548	5 079
94	201.2	1 547	5 076
95	203.0	1 547	5 076
96	204.8	1 546	5 072
97	206.6	1 545	5 069
98	208.4	1 544	5 066
99	210.2	1 543	5 063
100	212.0	1 543	5 063
104	220.0	1 538	5 046
110	230.0	1 532	5 026
116	240.0	1 524	5 000

KATflow 170

TECHNICAL DATA

Temperature		Sound speed in water	
°C	°F	m/s	ft/s
121	250.0	1 516	5 007
127	260.0	1 507	4 944
132	270.0	1 497	4 912
138	280.0	1 487	4 879
143	290.0	1 476	4 843
149	300.0	1 465	4 807
154	310.0	1 453	4 767
160	320.0	1 440	4 725
166	330.0	1 426	4 679
171	340.0	1 412	4 633
177	350.0	1 398	4 587
182	360.0	1 383	4 538
188	370.0	1 368	4 488
193	380.0	1 353	4 439
199	390.0	1 337	4 387
204	400.0	1 320	4 331
210	410.0	1 302	4 272
216	420.0	1 283	4 210
221	430.0	1 264	4 147
227	440.0	1 244	4 082
232	450.0	1 220	4 003
238	460.0	1 200	3 937
243	470.0	1 180	3 872
249	480.0	1 160	3 806
254	490.0	1 140	3 740
260	500.0	1 110	3 642

Table 28: Temperature and sound speed in water

10 SPECIFICATION

10.1 General

Measuring principle	Ultrasonic time difference correlation principle
Flow velocity range	0.01 ... 25 m/s
Resolution	0.25 mm/s
Repeatability	0.15 % of measured value, ± 0.015 m/s
Accuracy	Volume flow: $\pm 1 \dots 3$ % of measured value depending on application ± 0.5 % of measured value with process calibration Flow velocity (mean): ± 0.5 % of measured value
Turn down ratio	1/100
Gaseous and solid content of liquid media	< 10 % of volume

10.2 Flowmeter

Manufacturer	Katronic AG & Co. KG Gießlerweg 5 38855 Wernigerode Germany
Enclosure type	Explosion-proof field housing, pipe mounted
Marking	II 2G Ex db eb IIC T6 Gb
Certificate number	IBExU17ATEX1001X / IECEx IBE 17.0001X
Degree of protection	IP 66 according to DIN EN 60529
Temperature limits	Temperature class T6: -20 ... +60 °C (+4 ... +140 °F)
Measurement channels	1 or 2
Power supply	100 ... 240 V AC 50/60 Hz, 9 ... 36 V DC, special versions on request
Display	LCD graphic display, 128 x 64 dots, backlit
Housing material	Copper-free aluminium, polyurethane and epoxy-coated
Dimensions	237 (h) x 258 (w) x 146 (d) mm (without cable glands)
Weight	Approx. 4 kg
Power consumption	< 10 W
Signal damping	0 ... 99 s
Transit time measurement rate	100 Hz (standard)
Output update time	1 s, faster rates on application
Calculation functions	Average/difference/sum/maximum (dual-channel use only)
Operating languages	Czech, Dutch, English, French, German, Italian, Romanian, Russian, Spanish, Turkish (others on request)

KATflow 170

SPECIFICATION

10.3 Quantity and units of measurement

Volumetric flow rate	m ³ /h, m ³ /min, m ³ /s, l/h, l/min, l/s USgal/h (US gallons per hour), USgal/min, USgal/s bbl/d (barrels per day), bbl/h, bbl/min, bbl/s
Flow velocity	m/s, ft/s, inch/s
Mass flow rate	g/s, t/h, kg/h, kg/min
Volume	m ³ , l, gal (US gallons), bbl
Mass	g, kg, t
Heat flow	W, kW, MW (only with heat quantity measurement option)
Heat quantity	J, kJ, MJ (only with heat quantity measurement option)
Temperature	T _{in} , T _{out} , CU (housing temperature) in °C
Speed of sound	C in m/s
Signal quality	Sig in dB (signal), noise in dB, SNR (signal to noise ratio)

10.4 Internal data logger

Storage capacity	In excess of one million data points (16 MB)
Logging data	Up to ten selected variables

10.5 Communication

Serial interface	RS 485 (optional), Modbus RTU (optional), HART® compatible output, Profibus PA (optional)
Data	Instantaneous measured value, parameter set and configuration, logged data

10.6 KATdata+ software

Functionality	Download of measured values/parameter sets, graphical presentation, list format, export to third party software, online transfer of measured data
Operating systems	Windows 10, 8, 7, Vista, XP, NT, 2000, Linux, Mac (optional)

10.7 Process inputs



A maximum of five input and output slots can be used.

All process inputs are galvanically isolated from the device electronics and from other inputs/outputs.

Temperature	Pt 100, three- or four-wire circuit Measurement range: -50 ... +400 °C (-58 ... +752 °F) Resolution: 0.01 K, accuracy: ± 0.02 K
Current	0/4 ... 20 mA active or 4 ... 20 mA passive, $U = 30$ V, $R_i = 50$ Ω , accuracy: 0.1 % of measured value



Further process inputs available on application.

10.8 Process outputs



A maximum of five input and output slots can be used.

All process outputs are galvanically isolated from the device electronics and from other inputs/outputs.

Current	0/4 ... 20 mA active and 4 ... 20 mA passive options Active: $U = 30$ V, $R_{Load} < 500$ Ω , 16 bit resolution, accuracy: 0.1 % of measured value Passive: $U = 9 \dots 30$ V, $R_{Load} < 500$ Ω , 16 bit resolution, accuracy: 0.1 % of measured value
Voltage	Range: 0 ... 10 V, $R_{Load} = 1$ k Ω , $C_{Load} = 200$ pF, resolution: 16 bit, accuracy: 0.1 % of measured value
Digital optical open-collector	Function: Alarm or Totaliser Totaliser value: 0.01 ... 1 000/unit, width: 1 ... 990 ms, $U = 24$ V, $I_{max} = 4$ mA, NO and NC contacts
Digital relay	Function: Alarm or Totaliser Totaliser value: 0.01 ... 1 000/unit, width: 1 ... 990 ms, $U = 48$ V, $I_{max} = 250$ mA, NO and NC contacts
Analogue frequency (passive)	2 Hz ... 10 kHz, $U = 24$ V, $I_{max} = 4$ mA
HART®	HART-compatible output: 4 process variables selectable (PV, SV, TV and FV) Analogue: 4 ... 20 mA passive, $R_{Load} = 220$ Ω , $U = 24$ V, accuracy: 0.1 % of measured value



Further process outputs available on application.

KATflow 170

SPECIFICATION

10.9 Clamp-on sensors: K1Ex, K4Ex

Sensor type	K1Ex	K4Ex
Pipe diameter range	50 ... 3 000 mm	10 ... 250 mm
Manufacturer	Katronic Technologies Ltd. Earls Court 13 Warwick Street Coventry CV5 6ET United Kingdom	
Ex-certification code	Gas groups: II 2G Ex mb II T6 - T4 X Dust groups: II 2D Ex mbD 21 IP 68 T80 °C - T120 °C X	
Ex-certification number	TRAC 09 ATEX 21226X	
Degree of protection	IP 68 according to EN 60529	
Ex-protection method	Encapsulation (m), high level of protection (b)	
Temperature range	Temperature class T4: -50 ... +115 °C Temperature class T5: -50 ... +90 °C Temperature class T6: -50 ... +75 °C	
Dimensions of sensor heads	60 (h) x 30 (w) x 34 (d) mm	
Material of sensor heads	Stainless steel	
Material of cable conduits	PTFE	
Standard cable lengths	5.0 m	



The transducers are approved for use in hazardous areas classified as Zone 1 and 2. They are connected directly to the flowmeter or via extension cables and Ex-approved junction boxes.

11 INDEX

Acoustic coupling gel	19	Menu structure	27, 32, 35, 42-45
Analogue current input	39, 46	Modbus RTU	39, 42, 60
Analogue current output	37, 43	Multiple sensors	18
Analogue frequency output	38, 44	Negative separation distance	18
Analogue voltage output	38, 44	Output configuration	42
Approvals	9	Packaging	5, 12
Cable glands	24, 25, 59	Passes	18, 20, 30, 36, 37, 49, 50
Certificate of Conformity	64	Pipe material selection	14, 29, 35, 36, 52
Commissioning	35	Pipe parameters	19
Contrast	27	Pipe preparation	17
Customer Return Note (CRN)	6, 7, 48, 66	Pole	22
Data logger	28, 34, 41, 42, 47, 60	Process value	32, 46
Diagnostic displays	32, 34	Pt 100 inputs	45, 61
Diagnostics	17, 41	Quick Start	29, 32, 35
Diagonal mode	18, 19, 30	Reflection Mode	18, 19, 30
Digital open-collector output	38, 44	Relay output	38, 45
Digital relay output	38, 45	Retaining clip (sensor mounting)	21
Dimensions	22, 59, 62	Return Policy	5, 6
Display	26-29, 32, 33, 37, 40, 42, 47, 59	RS 232	41, 42
Display icons	27	Safety	5-7, 10, 23, 24, 48
Disturbance sources	15, 17	Scope function	47
Dual channel display mode	46	Sensor configuration	18
Dual-channel calculations	46	Sensor location	14, 20, 21
Equipotential bonding	25	Sensor mounting	12, 15, 18, 19, 21
Error messages	49	Sensor positioning screen	20, 21, 30
Fluid selection	30	Sensor Separation	20, 21
Fluid temperature	35	Serial interface	42, 60
HART® compatible output	39, 43, 60, 61	Setup Wizard	29, 31, 35
Identification of components	12	Software KATdata+	34, 41, 47, 51, 60
Inner pipe diameter	30	SOS (speed of sound)	35, 46
Input configuration	45	Sound velocity measurement	46
Installation	5, 6, 8, 9, 12, 14, 15, 19, 22-25, 32, 36, 40, 50	Specification	59
Junction box	10, 12, 13, 24, 25, 48	Storage	12, 24, 60
Keypad	26, 27, 40, 41	Switching on/off	26
Legislative requirements	7	System configuration	13
Liner material	30, 36	Temperature compensation	46
Maintenance	6, 42, 48	Temperature limits	11, 59
Math functions	33, 35, 37-40, 46, 50	Three-line display	32, 33
Measurements	8, 14, 15, 29, 30	Totaliser	33, 36, 44, 45, 61
Measuring principle	8, 59	Transit-time method	8
		Troubleshooting	6, 49
		Units of measurement	29, 60
		Wall thickness	14, 18, 20, 29, 30, 35, 36
		Warranty	5, 6
		Wizard (Quick Setup Wizard)	29, 31, 35

12 APPENDIX A – CERTIFICATE OF CONFORMITY



Declaration of Conformity

We, Katronic Technologies Ltd., declare under our sole responsibility that the product listed below to which this declaration relates are in conformity with the EU directives:

- EMC Directive 2014/30/EU for Electromagnetic Compatibility
- Low Voltage Directive 2014/35/EU for Electrical Safety
- ATEX Directive 2014/34/EU – Equipment or Protective Systems or Components Intended for Use in Potentially Explosive Atmospheres

Name of Product	Description
KATflow 170	Ultrasonic flowmeter with associated Katronic transducers

The mentioned products are in conformity with the following European Standards:

Class	Standard	Description
EMC Directive	BS EN 61326-1:2013	Electrical equipment for measurement, control and laboratory use – EMC requirements
Immunity	BS EN 61326-1:2013	Electrical equipment for continuous unattended use
	BS EN 61000-4-2:2009	Electrostatic discharge
	BS EN 61000-4-3:2006	RF field
	BS EN 61000-4-4:2012	Electric fast transient/burst
	BS EN 61000-4-5:2014	Surge
Emission	BS EN 61000-4-6:2014	RF conducted
	BS EN 61000-4-11:2004	AC mains voltage dips and interruption
Low Voltage Directive	BS EN 61326-1:2013	Electrical equipment Class B
	BS EN 55022:2010	Disturbance voltage Class B
ATEX Directive	BS EN 61010-1:2010	Safety requirements for electrical equipment for measurement, control and laboratory use
	EN 60079-0:2014	Electrical equipment for use in explosive atmosphere – General requirements
	EN 60079-1:2015	Electrical equipment for use in explosive atmosphere – Flameproof “d”
	EN 60079-7:2016	Electrical equipment for use in explosive atmosphere – Increased safety “e”
	EN 60079-31:2014	Electrical equipment for use in the presence of combustible dust – Protection by enclosures “tD”



The conformity with the Directive 2014/34/EU – Annex II was certified by the certification body IBExU Institut für Sicherheitstechnik GmbH (ATEX notified body identification 0637) with the following document:

Name of Document	Document Number
EU-Type Examination Certificate	IBExU17ATEX1001 X

Katronic Technologies Ltd. has a quality assurance system which complies with Annex IV of Directive 2014/34/EU. The quality assurance system was certified by the certification body Element Materials Technology Rotterdam B. V. (ATEX notified body identification 2812):

Name of Document	Document Number
Quality Assurance Notification – Manufacturing Processes	EMT16QAN0006

The marking of the ultrasonic flowmeter includes the following:

- 2812
- Gas groups: II 2G Ex db eb IIC T6 Gb
- Temperature class T6: -20 ... +60 °C

Coventry, 15 November 2019

For and on behalf of Katronic Technologies Ltd.

Yours sincerely,

A handwritten signature in black ink, appearing to read "Andrew Sutton".

Andrew Sutton
Managing Director

Katronic Technologies Ltd.
Earls Court
Warwick Street
Coventry CV5 6ET
United Kingdom

Tel. +44 (0)2476 714 111
Fax +44 (0)2476 715 446
E-mail info@katronic.co.uk
Web www.katronic.com

VAT No. GB 688 0907 89
Registered in England
Number 3298028
Registered office as shown

Page 2 of 2



KATflow 170

APPENDIX B – Customer Return Note (CRN)

13 APPENDIX B – CUSTOMER RETURN NOTE (CRN)



Company	<input type="text"/>
Name	<input type="text"/>
Tel. No.	<input type="text"/>
E-mail	<input type="text"/>
Address	<input type="text"/>
Instrument model	<input type="text"/>
Serial number	<input type="text"/>
U-F-M contract number (if known)	<input type="text"/>
Sensor type(s)	<input type="text"/>
Sensor serial number(s)	<input type="text"/>

The enclosed instrument has been used in the following environment (please mark):

- Nuclear radiation
- Water-endangering
- Toxic
- Caustic
- Biological
- Other (please specify)

We confirm that (please mark),

- we have checked the instrument and sensors are free of any contamination,
- we have neutralised, flushed and decontaminated all parts which have been in contact with hazardous substances and/or environments,
- there is no risk to man or environment through any residual material.

Date

Signature

Company Stamp