

UFM-15 Flow Watch | Data Sheet

U-F-M b.v. concentrates on the development of flow measurement technology. Our products serve real-time flow measurement and participation process control in the production process. The main customer industries are: chemical production process, fine chemical production, cleaning industry, beverage industry, etc.

The **UFM-15 Flow Watch** is very unique in its structural design. It uses a circular magnetic steel to achieve automatic connection during installation. It takes only 2-3 minutes to complete the whole process from installation to measurement. The OLED display makes it easy to read in low light conditions.

Features

- **Clamp-on** : no need to cut the pipe or do any other changes.
- **No professional product knowledge required** : installation and measurement can be done based on the guide.
- **No moving parts or pressure changes involved** : installation can be done without interruption.



Introduction

The UFM-15 Flow Watch is widely used in the production process for flow measurement and monitoring. The application of the product continuously and effectively controls the flow of the fluid, so as to improve the yield of the product and even save the input of the personnel, bringing benefits to the production enterprise.

The Flow Watch can meet different pipe requirements: stainless steel pipe, carbon steel pipe, copper pipe, plastic pipe (PVC, PVDF, PPR, PPH, HDPE, etc.).



The UFM-15 Flow Watch enables different clean fluid measurements: various acids, alcohols, chemical solvents, alcohol, beverage water, soda water, etc.

Components

Flow Watch



Upper bracket



Base bracket

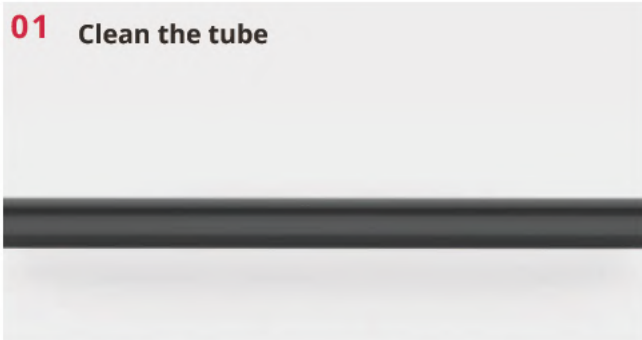


Connecting cables

Applications

Installation

01 Clean the tube



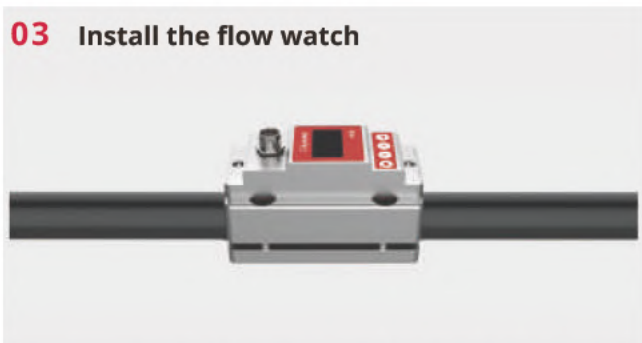
Make sure no dirt, paint, or other stains on the surface of the tube.

02 Install the bracket



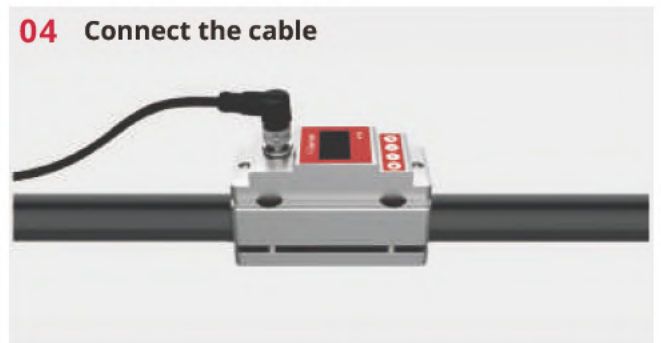
Align flow meter to the pipe position, Install screw on top part of the bracket, the bottom part of the bracket will automatically connect with the top part. Tighten the four M4 screws.

03 Install the flow watch



Take the cover off the sensor, put the flow meter into Upper bracket, and tighten two M4 screws.

04 Connect the cable



Take out the cable, connect it to the socket, and tighten up.

05 Run the flow watch

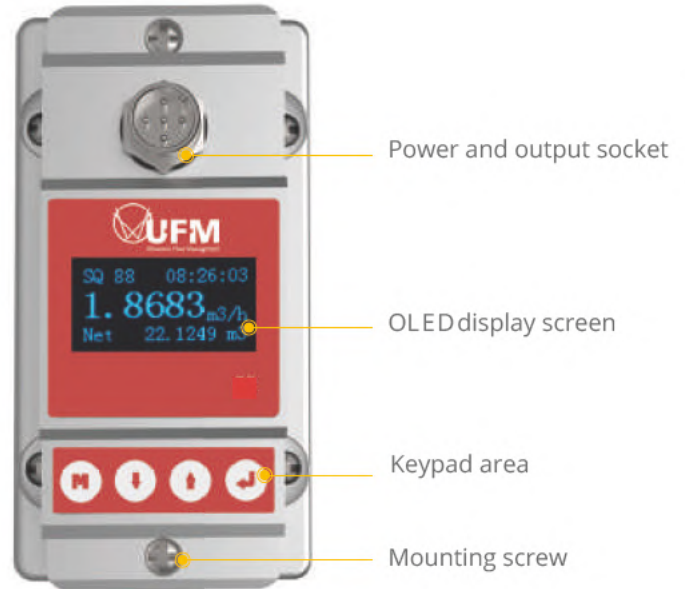


Please refer to the manual for cable connection; Power on and see if the SQ \geq 50 which indicates that the measurement has been stable.

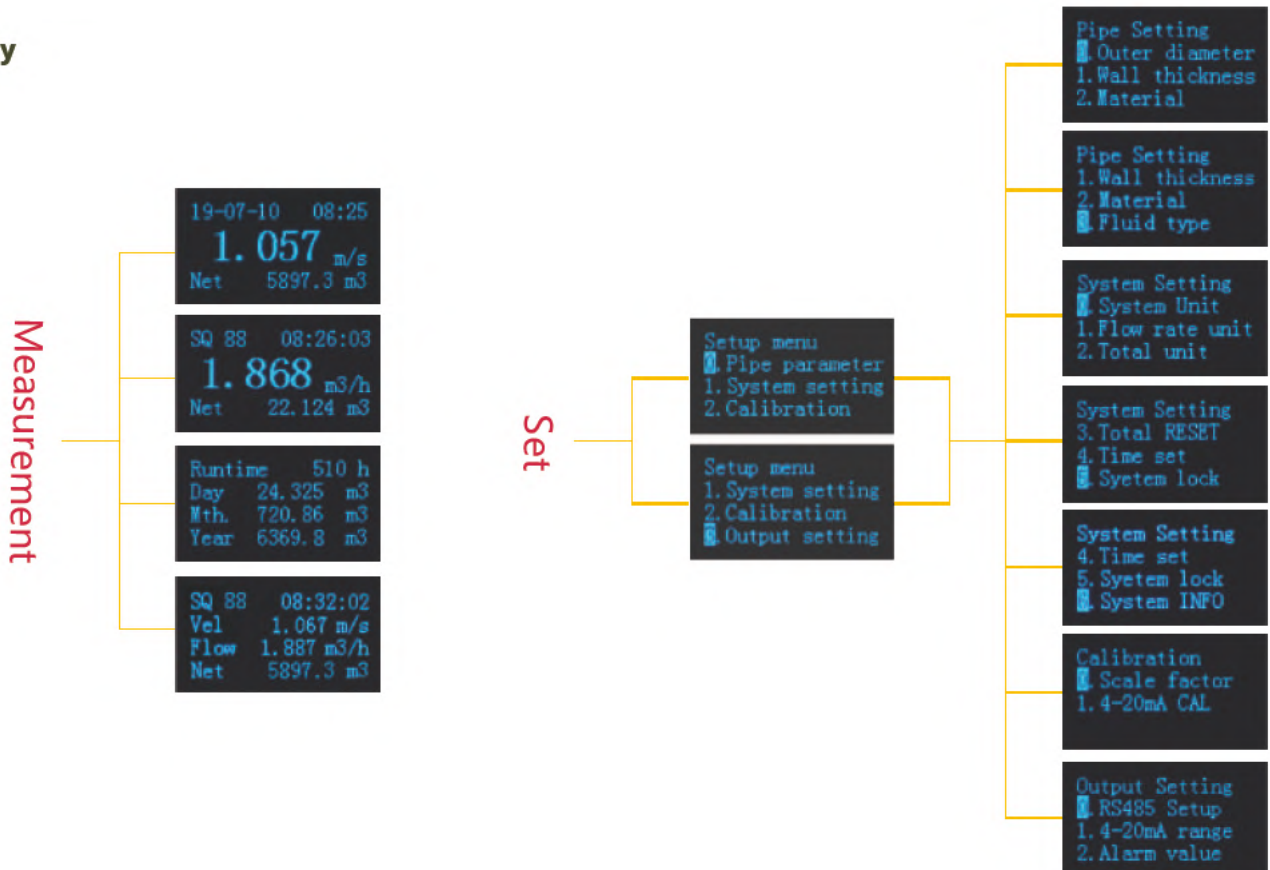
Setting

Special instructions:

Flow Watch, which is designed for different pipe diameter and materials, will be set in standard setting before it leaves the factory. There is no need to reset.



Display



Performance

Product	Flow Watch
Model	F5
Flow range	0.1 m/s ~ 5.0 m/s
Accuracy	±2.0%
Repeatability	0.8%
Pipe size	DN15-DN50, 6 specifications in total
Data storage	Daily, monthly, and Annual. Flow Totalizer
Analog output	4 ~ 20mA, Maximum load: 600Ω
Alarm output	OCT, Upper and lower limit alarm function (optional)
Communication	RS485, support Modbus communication protocol
Power supply	24VDC
Cable length	1.8m
Keypad	Four light touch buttons
Screen	OLED 128*64 display screen
Units	Metric and imperial units are available, Cubic Meters(m3), Liters(L), USA Gallons(GAL)/hour, /min, Default unit setting: m3/h
Totalizer	Six bit digit
Piper material	Stainless steel pipe, carbon steel pipe, copper pipe, plastic pipe
Case material	Aluminum alloy
Environment temp	0°C - 50°C
Medium temp.	0°C - 50°C
Environment humidity	0-95% relative humidity, without condensation
IP Grade	IP54

Weight (KG)	F5- Φ20	F5- Φ25	F5- Φ32	F5- Φ40	F5- Φ50	F5- Φ63
	0.54	0.54	0.52	0.60	0.58	0.73

Piping specifications

Model	F5- ϕ 20	F5- ϕ 25	F5- ϕ 32	F5- ϕ 40	F5- ϕ 50	F5- ϕ 63
Pipe diameter	ϕ 20	ϕ 25	ϕ 32	ϕ 40	ϕ 50	ϕ 63
Pipe diameter	15mm	20mm	25mm	32mm	40mm	50mm
Nominal name	DN15	DN20	DN25	DN32	DN40	DN50
Popular name	1/2"	3/4"	1"	1.2"	1.5"	2"

Dimensions

Model	A (mm)	B (mm)	C (mm)	D(mm)	
				min	max
F5- Φ 20	25	8	58	1.5/ Φ 20	8/ Φ 23
F5- Φ 25	25	15	58	1.5/ Φ 25	4.5/ Φ 28
F5- Φ 32	28.5	18.5	58	1.5/ Φ 32	4.5/ Φ 35
F5- Φ 40	29.5	24	68	1.5/ Φ 38	8.5/ Φ 45
F5- Φ 50	36	27	78	1.5/ Φ 48	8.5/ Φ 54
F5- Φ 63	41	32	91	1.5/ Φ 58	7.5/ Φ 64

